

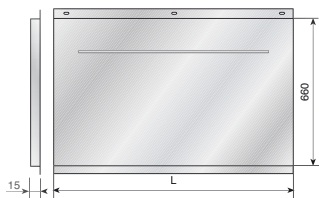
HOOD



# Optional Extras

## LADLE HOLDER PANEL

Stainless steel back with ladle holder bar.  
Perfect against splashes and hot pans.



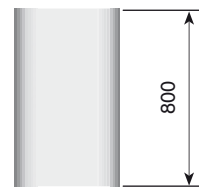
## GRILL UNDER HOOD

Plate grill under hood for infrared lamps to keep food at the proper serving temperature.  
**Only AM hoods**



## CHIMNEY COVER EXTENSION

80 cm hood chimney extension for installation with high ceilings.



## FILTERS FOR HOOD

Active carbon filters for installation with air circulation.



## HOOD REMOTE

Remote control for exhaust hoods.  
Suitable for all series.



This innovative product is ideal for those who wish to create a custom hood with top grade mechanics. Combining a frame and the motor with the customer's housing achieves a high performance, freestyle hood. The motor can be placed on the wall, ceiling or side depending upon the position of the flue. Important: the housing must be hermetic inside to ensure suction only through the frame filters.

## IAG - BUILT-IN EXHAUST UNIT

### GENERAL FEATURES

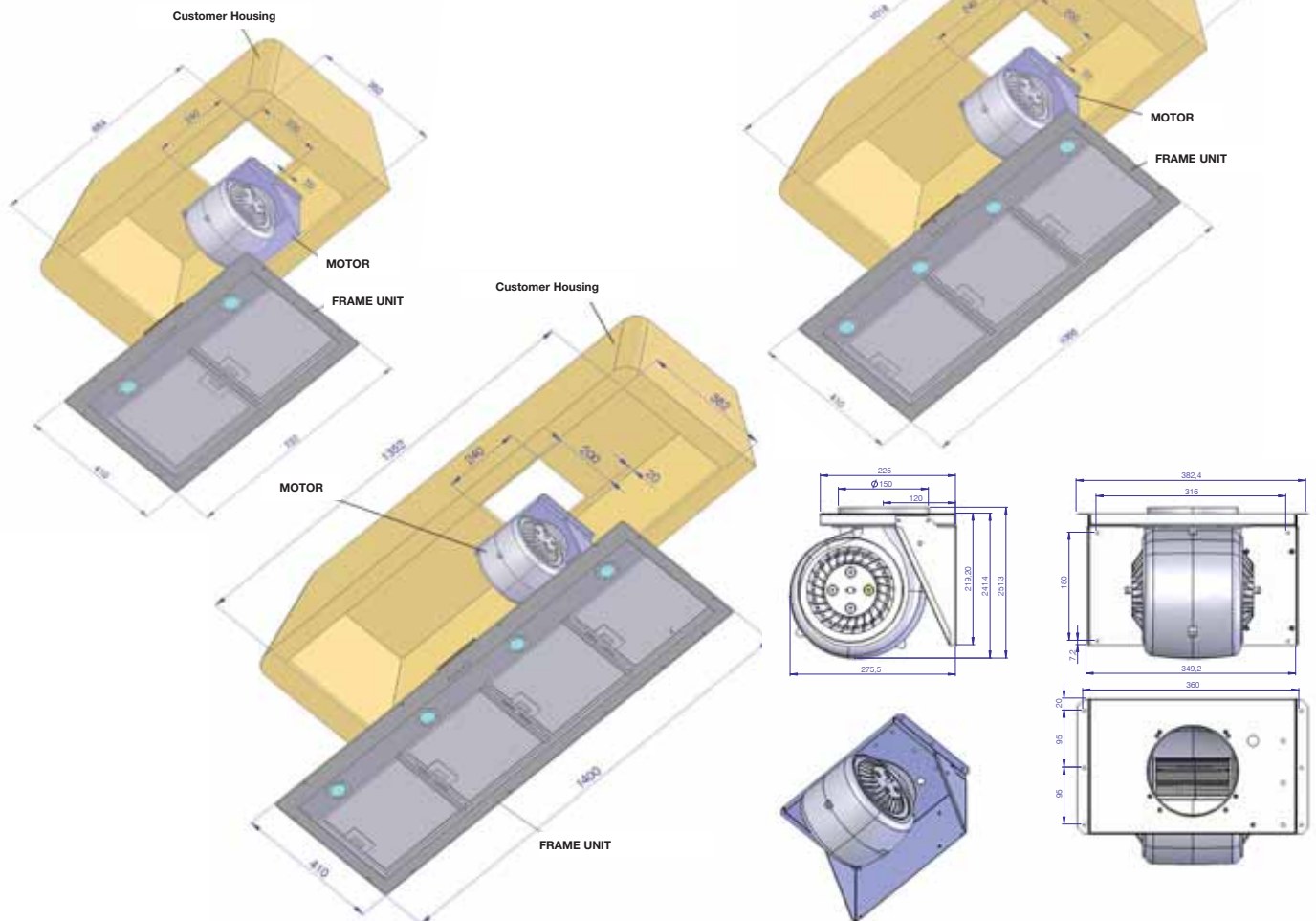
- Automatic light for filter cleaning
- Chimney outlet hole 15 cm
- Maximum power: 355W
- Stainless steel frame AISI 304
- Professional labyrinth filters in stainless steel
- Suction 890 m3/h
- Remote control ready (as an option with additional cost)
- Four speed controls (1-2-3-Intensive)
- Available in suction or filtering version
- Front LEDs

### MOTOR SPECIFICATIONS

- Exh motor for IAG hoods with cabling.
- Suction 890 m3/h
- Motor weight 5,5 kg

### COLOURS

■ STAINLESS  
STEEL



### BUILT-IN EXHAUST UNIT

<b>IAG90</b>	BUILT-IN HOOD 90 CM (FRAME ONLY FILTRES AND LIGHTS)
<b>IAG120</b>	BUILT-IN HOOD 120CM (FRAME ONLY FILTRES AND LIGHTS)
<b>IAG150</b>	BUILT-IN HOOD 150CM (FRAME ONLY FILTRES AND LIGHTS)
<b>A/407/04</b>	MOTOR FOR IAG HOODS

### ACCESSORIES AND OPTIONS

<b>A/301/01</b>	HOOD REMOTE
<b>G/076/09</b>	FILTERS FOR HOOD - Active carbon filters for installation with air circulation

**TO ORDER WITH TWO CODES: FRAME CODE + MOTOR CODE (+ OPTIONAL REMOTE CONTROL)**  
EXAMPLE: FOR A COMPLETE GROUP OF 120 ORDER A 120 IAG120N FRAME AND A A/407/04 MOTOR

Hood with an elegant and timeless design Soft, clean lines Available in various colours for perfect coordination with other ILVE appliances.

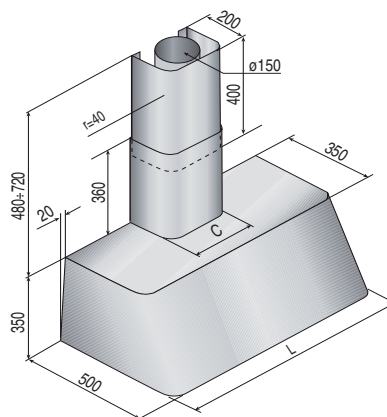
## AG - WALL HOOD "PROFESSIONAL"

### GENERAL FEATURES

- Automatic light for filter cleaning
- Chimney outlet hole 15 cm
- Maximum power: 355W
- AISI 304 stainless steel case (only stainless steel models)
- Anodized aluminium filters
- Suction 890 m<sup>3</sup>/h
- Remote control ready (as an option with additional cost)
- Four speed controls (1-2-3-Intensive)
- Available in suction or filtering version
- Front LEDs



SPEED	W	Pa	m <sup>3</sup> /h	dB
1	86	355	270	47
2	153	471	379	56
3	249	514	536	64
4	350	539	890	74



### COLOURS



Code	L (cm)	C	Stainless steel back	Chimney extension
AG60	600	250	AP4-70	A/017/23/..*
AG70	700	250	AP4-70	A/017/23/..*
AG80**	800	250	AP4-80	A/017/23/..*
AG90	900	250	AP4-90	A/017/23/..*
AG100	1000	250	AP4-100	A/017/23/..*
AGQ110	1100	400	AP4-110	A/017/20/..*
AG120	1200	400	AP4-120	A/017/20/..*
AG150	1500	400	AP4-150	A/017/20/..*

\* To complete the code for the chimney cover extension, instead of the ellipsis "...", enter:

01 for Antique White - 08 for Stainless Steel - 10 for Graphite / Mat - 52 for Burgundy - 54 for Blue - 56 for Green

\*\* Only Stainless Steel

### ACCESSORIES AND OPTIONS

A/301/01	HOOD REMOTE
G/076/09	FILTERS FOR HOOD - Active carbon filters for installation with air circulation

# AGQ

Innovative hood, with a professional appearance and performance, that enhances the cooking area. The large inclined surface and labyrinth filters form barrier that is almost impenetrable by grease and are easy to clean as they are entirely in stainless steel. Easy to remove, they can also be washed in the dishwasher.

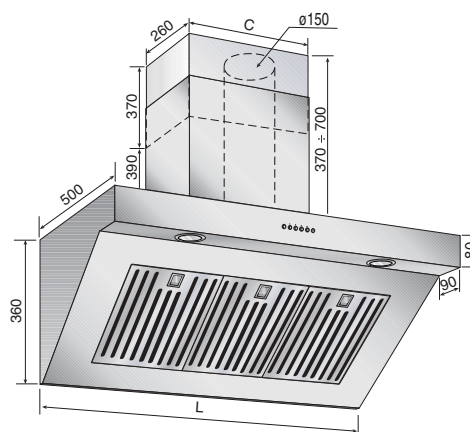
## AGQ - WALL HOOD

### GENERAL FEATURES

- Automatic light for filter cleaning
- Chimney outlet hole 15 cm
- Maximum power: 355W
- AISI 304 stainless steel case
- Professional labyrinth filters in stainless steel
- Suction 890 m<sup>3</sup>/h
- Remote control ready (as an option with additional cost)
- Four speed controls (1-2-3-Intensive)
- Available in suction or filtering version
- Front LEDs



SPEED	W	Pa	m <sup>3</sup> /h	dB
1	86	355	270	47
2	153	471	379	56
3	249	514	536	64
4	350	539	890	74



### COLOURS



STAINLESS  
STEEL

Code	L (cm)	C	Stainless steel back	Chimney extension
AGQ60	60	330	AP4-70	A/017/26/08
AGQ70	70	330	AP4-70	A/017/26/08
AGQ80	80	330	AP4-80	A/017/26/08
AGQ90	90	330	AP4-90	A/017/26/08
AGQ100	100	330	AP4-100	A/017/26/08
AGQ110	110	400	AP4-110	A/017/27/08
AGQ120	120	400	AP4-120	A/017/27/08
AGQ150	150	400	AP4-150	A/017/27/08

### ACCESSORIES AND OPTIONS

A/301/01	HOOD REMOTE
G/076/09	FILTERS FOR HOOD - Active carbon filters for installation with air circulation

Exclusive hood designed to match with the Majestic line. It is 60 cm deep to align with the greater depth of the Majestic blocks. The hood is available in various colours and also has a stainless steel frame like the cooker. Also features infrared lamps to be used as food warmers, as in commercial settings.

## AM - MAJESTIC WALL HOOD

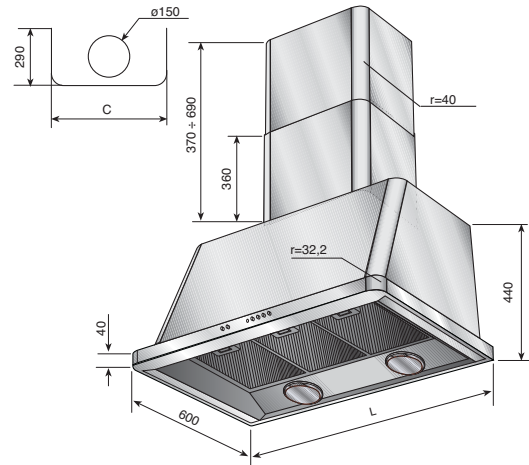
### GENERAL FEATURES

- Automatic light for filter cleaning
- Chimney outlet hole 15 cm
- Maximum power: 705W (AM-70 and AM-76 535W)
- AISI 304 stainless steel case (only stainless steel models)
- Anodized aluminium filters
- Suction 890 m<sup>3</sup>/h
- Remote control ready (as an option with additional cost)
- Four speed controls (1-2-3-Intensive)
- Available in suction or filtering version
- Front LEDs 2 175W infrared lights for wall food warmer (one light for mod. AM-70 and AM-76)



SPEED	W	Pa	m <sup>3</sup> /h	dB
1	86	355	270	47
2	153	471	379	56
3	249	514	536	64
4	350	539	890	74

### COLOURS



Code	L (cm)	C	Consumption W	Stainless steel back	Chimney extension
<b>AM70</b>	700	280	575	<b>AM4-70</b>	<b>A/017/19/..*</b>
<b>AM76</b>	760	280	750	<b>AM4-76</b>	<b>A/017/19/..*</b>
<b>AM90</b>	911	400	750	<b>AM4-90</b>	<b>A/017/20/..*</b>
<b>AM100</b>	1000	400	750	<b>AM4-100</b>	<b>A/017/20/..*</b>
<b>AM120</b>	1216	400	790	<b>AM4-120</b>	<b>A/017/20/..*</b>
<b>AM150</b>	1511	400	790	<b>AM4-150</b>	<b>A/017/20/..*</b>

\* To complete the code for the chimney cover extension, instead of the ellipsis "...", enter:

01 for **Antique White** - 08 for **Stainless Steel** - 10 for **Graphite / Mat** - 52 for **Burgundy** - 54 for **Blue** - 56 for **Green**

### ACCESSORIES AND OPTIONS

<b>A/301/01</b>	HOOD REMOTE
<b>G/076/09</b>	FILTERS FOR HOOD - Active carbon filters for installation with air circulation
<b>A/092/23</b>	GRILL UNDER HOOD - Plate grill under hood for infrared lamps to keep food at the proper serving temperature