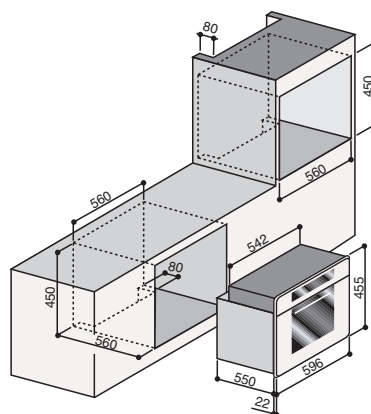


**OVENS** • CLASSIC



## GENERAL FEATURES

- High density insulation
- Tangential cooling fan
- Internal light
- Triple glass cold door (EN60335-2-6-11.101)

### 645 E4 - COMPACT ELECTRONIC OVEN 645 - 400°C

#### OVEN FEATURES

- Internal oven dimensions: 44x21x40,5 - 37 litres
- Electronic programmer
- Energy class A **A**
- Electronic temperature control
- Cooking temperature 30-400°C
- Thermostat with electronic probe 400°C
- Child safety
- "Pizza Party" function 400°C for cooking pizzas in series

#### CONSUMPTION

- Maximum absorption 2,9 kW
- Heating element absorption: Electric grill 1600 W / Top 900 W / Bottom 1300 W / Circular 2000 W

#### 10 FUNCTIONS



#### FINISHES



BRASS

CHROME

BURNISHED

#### COLOURS



BURGUNDY

ANTIQU  
WHITE

STAINLESS  
STEEL

GRAPHITE/  
MAT

### 645 E3Q - COMPACT ELECTRONIC OVEN 645

#### OVEN FEATURES

- Internal oven dimensions: 44x21x40,5 - 37 litres
- Electronic programmer
- Energy class A **A**
- Electronic temperature control
- Cooking temperature 30-300°C
- Thermostat with electronic probe
- Child safety

#### CONSUMPTION

- Maximum absorption 2,9 kW
- Heating element absorption: Electric grill 1600 W / Top 900 W / Bottom 1300 W / Circular 2000 W

#### 10 FUNCTIONS



#### FINISHES



BRASS

CHROME

BURNISHED

#### COLOURS



ANTIQU  
WHITE

STAINLESS  
STEEL

GRAPHITE/  
MAT

BURGUNDY

### 645 E4 MULTI ELECTRONIC 400°

**645SCZE4**

BRASS / CHROME

BURNISHED

### 645 E3Q MULTI-FUNCTION ELECTRONIC 300°C

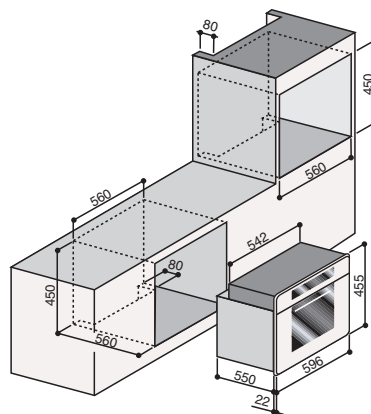
**645SCE3**

BRASS / CHROME

BURNISHED



ACCESSORIES FOR ALL OVENS  
PAGE 26 - 27



## GENERAL FEATURES

- AISI 304 stainless steel muffle
- Digital display

## 645 ST - STEAM OVEN

### OVEN FEATURES

- Capacity 35 litres
- Steam generator
- 4 cooking levels 40/60/80/100°C
- Defrost function
- Tank, 1,2 litres
- Forced ventilation
- No water indicator Descaling cycle warning
- Child safety lock
- Door opening safety
- 2 stainless steel pans

### CONSUMPTION

- Absorption 1,5 kW

### FUNCTIONS



### FINISHES



BRASS



CHROME



BURNISHED

### COLOURS



STAINLESS  
STEEL



ANTIQUÉ  
WHITE



GRAPHITE/  
MAT



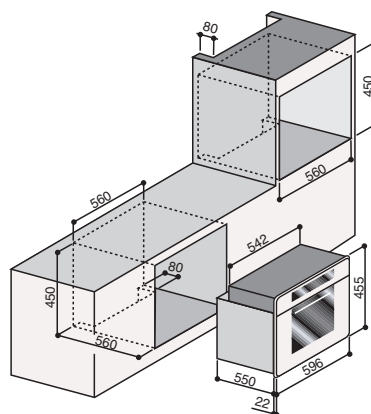
BURGUNDY

## 645 ST STEAM OVEN

**645NTKST**

BRASS / CHROME

BURNISHED



## GENERAL FEATURES

- AISI 304 stainless steel muffle
- Digital display

## 645 W - COMBINATION MICROWAVE OVEN

### OVEN FEATURES

- Net capacity 32 - gross 38 litres
- 6 microwave cooking levels
- Automatic thawing by time or weight
- Forced ventilation
- Door with 3 pieces of glass
- 3 automatic cooking functions
- Child safety lock
- Door opening safety
- 1 glass pan

### CONSUMPTION

- Absorption 3,4 kW
- Grill 1500 W foldable
- Microwave 1000 W

### 6 FUNCTIONS



### FINISHES



BRASS

CHROME

BURNISHED

### COLOURS



ANTIQU  
WHITE

GRAPHITE/  
MAT

BURGUNDY

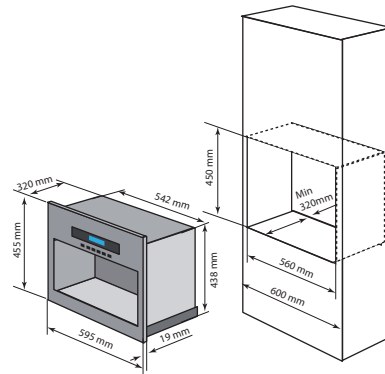
## 645 W COMBINATION MICROWAVE

**645NTKCW**

BRASS / CHROME

BURNISHED

# ES645C



## GENERAL FEATURES

- Semi-automatic like those in bars, it obtains a perfect espresso from coffee beans. The water tank can be removed for better hygiene. Also produces steam for quickly heating water for tea or milk for cappuccino or even for vin brûlé.
- Adaptor kit for Lavazza Espresso Point®, Illy®, Nespresso® and other coffee pods.
- Can be used with pods for other beverages such as ginseng, flavoured coffees, tea, tisanes, etc.

## 645 ES - PROFESSIONAL ESPRESSO MACHINE

### CHARACTERISTICS

- Customizable parameters: grind and amount of coffee, water and steam temperature, water hardness.
- Uses both whole bean and ground coffee.
- Steam generator for cappuccino, tea, tisanes.
- Stainless steel coffee grinder.
- Heating time about 2 min.
- Water tank: 2,5 l.
- Coffee tank: about 350 g.
- Boiler power 1000 W.
- Steam boiler power 600 W.
- Mill power: 100 W.
- Maximum absorption 1700 W.

### FINISHES



BRASS



CHROME



BURNISHED

### COLOURS



ANTIQUÉ  
WHITE



STAINLESS  
STEEL



GRAPHITE/  
MAT



BURGUNDY

## 645 ES

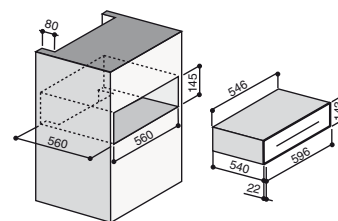
### ES645CTK

BRASS / CHROME

BURNISHED

# 615SC

## MODULE 60



### GENERAL FEATURES

- Drawer with non-slip bottom
- Can be installed alone or along with models 645 for insertion in a standard 60 cm opening

#### 615 SC - DRAWER 615

##### FINISHES



BRASS



CHROME



BURNISHED

##### COLOURS



ANTIQU  
WHITE



STAINLESS  
STEEL



GRAPHITE/  
MAT



BURGUNDY

#### 615 WD - FOOD WARMER DRAWER 615

- Temperature adjustable from 40 to 80°C
- Thermostat
- On/off button
- Ventilated heat
- Maximum power 0,4 kW

##### FINISHES



BRASS



CHROME



BURNISHED

##### COLOURS



ANTIQU  
WHITE



STAINLESS  
STEEL



GRAPHITE/  
MAT



BURGUNDY

#### DRAWER 615

615SCSC

BRASS / CHROME

BURNISHED

#### FOOD WARMER DRAWER 615

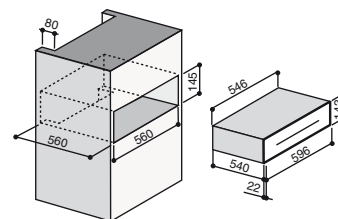
615SCWD

BRASS / CHROME

BURNISHED

# 615C

## MODULE 60



### GENERAL FEATURES

- Drawer with non-slip bottom
- Can be installed alone or along with models 645 for insertion in a standard 60 cm opening

#### 615 SC - DRAWER 615

##### FINISHES



BRASS



CHROME



BURNISHED

##### COLOURS



ANTIQU  
WHITE



STAINLESS  
STEEL



GRAPHITE/  
MAT



BURGUNDY

#### 615 WD - FOOD WARMER DRAWER 615

- Temperature adjustable from 40 to 80°C
- Thermostat
- On/off button
- Ventilated heat
- Maximum power 0,4 kW

##### FINISHES



BRASS



CHROME



BURNISHED

##### COLOURS



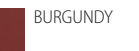
ANTIQU  
WHITE



STAINLESS  
STEEL



GRAPHITE/  
MAT



BURGUNDY

#### DRAWER 615

615SCSC

BRASS / CHROME

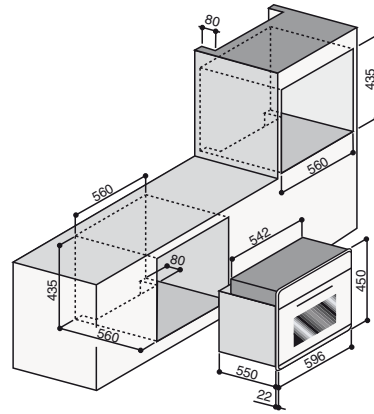
BURNISHED

#### FOOD WARMER DRAWER 615

615CWD

BRASS / CHROME

BURNISHED



## GENERAL FEATURES

- High density insulation
- Tangential cooling fan
- Internal light
- Triple glass cold door (EN60335-2-6-11.101)

### 645 E4 - COMPACT ELECTRONIC OVEN 645 - 400°C

#### OVEN FEATURES

- Internal oven dimensions: 44x21x40,5 - 37 litres
- Electronic programmer
- Energy class A **A**
- Electronic temperature control
- Cooking temperature 30-400°C
- Thermostat with electronic probe 400°C
- Child safety
- "Pizza Party" function 400°C for cooking pizzas in series

#### CONSUMPTION

- Maximum absorption 2,9 kW
- Heating element absorption: Electric grill 1600 W / Top 900 W / Bottom 1300 W / Circular 2000 W

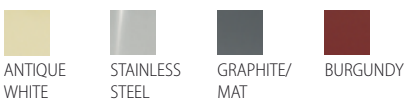
#### 10 FUNCTIONS



#### FINISHES



#### COLOURS



### 645 E3Q - COMPACT ELECTRONIC OVEN 645

#### OVEN FEATURES

- Internal oven dimensions: 44x21x40,5 - 37 litres
- Electronic programmer
- Energy class A **A**
- Electronic temperature control
- Cooking temperature 30-300°C
- Thermostat with electronic probe
- Child safety

#### CONSUMPTION

- Maximum absorption 2,9 kW
- Heating element absorption: Electric grill 1600 W / Top 900 W / Bottom 1300 W / Circular 2000 W

#### 10 FUNCTIONS



#### FINISHES



#### COLOURS



### 645 E4 MULTI ELECTRONIC 400°

**645CZE4**

BRASS / CHROME  
BURNISHED

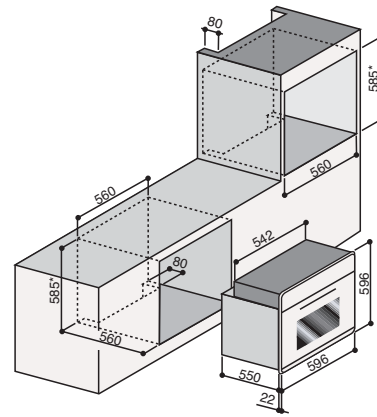
### 645 E3Q MULTI-FUNCTION ELECTRONIC 300°C

**645CE3**

BRASS / CHROME  
BURNISHED



ACCESSORIES FOR ALL OVENS  
PAGE 26 - 27



## GENERAL FEATURES

- AISI 304 stainless steel muffle
- High density insulation
- Tangential cooling fan
- Internal light
- Quadruple glass cold door (EN60335-2-6-11.101)

### 645 E4 - COMPACT ELECTRONIC OVEN 645 - 400°C

#### OVEN FEATURES

- Internal oven dimensions: 44x21x40,5 - 37 litres
- Electronic programmer
- Energy class A **A**
- Electronic temperature control
- Cooking temperature 30-400°C
- Thermostat with electronic probe 400°C
- Child safety
- "Pizza Party" function 400°C for cooking pizzas in series

#### CONSUMPTION

- Maximum absorption 2,9 kW
- Heating element absorption: Electric grill 1600 W / Top 900 W / Bottom 1300 W / Circular 2000 W

#### 10 FUNCTIONS



### DRAWER 615

- Drawer with non-slip bottom

#### FINISHES



BRASS



CHROME



BURNISHED

#### COLOURS



ANTIQU  
WHITE



STAINLESS  
STEEL



GRAPHITE/  
MAT



BURGUNDY

### 645 E4 MULTI ELECTRONIC 400°C + DRAWER

**600CZE4SC**

BRASS / CHROME

BURNISHED

### 645 E4 - COMPACT ELECTRONIC OVEN 645 - 400°C

#### OVEN FEATURES

- Internal oven dimensions: 44x21x40,5 - 37 litres
- Electronic programmer
- Energy class A **A**
- Electronic temperature control
- Cooking temperature 30-400°C
- Thermostat with electronic probe 400°C
- Child safety
- "Pizza Party" function 400°C for cooking pizzas in series

#### CONSUMPTION

- Maximum absorption 2,9 kW
- Heating element absorption: Electric grill 1600 W / Top 900 W / Bottom 1300 W / Circular 2000 W

#### 10 FUNCTIONS



### FOOD WARMER DRAWER 615

- Drawer with non-slip bottom
- Temperature adjustable from 40 to 80°C / Thermostat / On/off button
- Ventilated heat
- Maximum power 0,4 kW

#### FINISHES



BRASS



CHROME



BURNISHED

#### COLOURS



ANTIQU  
WHITE



STAINLESS  
STEEL



GRAPHITE/  
MAT



BURGUNDY

### 645 E4 MULTI ELECTRONIC 400°C + FOOD WARMER

**600CZE4WD**

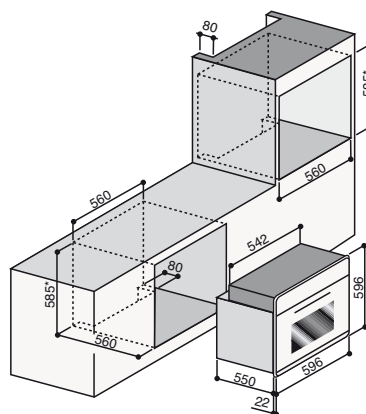
BRASS / CHROME

BURNISHED



ACCESSORIES FOR ALL OVENS  
PAGE 26 - 27





## GENERAL FEATURES

- High density insulation
- Tangential cooling fan
- Internal light
- Triple glass cold door (EN60335-2-6-11.101)

### 600 E3 - ELECTRONIC OVEN 600

#### OVEN FEATURES

- Internal oven dimensions: 44x33,5x41 - 60 litres
- Electronic programmer
- Energy class A **A**
- Electronic temperature control
- Cooking temperature 30-300°C
- Thermostat with electronic probe
- Child safety

#### CONSUMPTION

- Maximum absorption 2,65 kW
- Heating element absorption: Electric grill 1600 W / Top 900 W / Bottom 1300 W / Circular 2400 W

#### 10 FUNCTIONS



#### FINISHES



BURNISHED

#### COLOURS



### 600 VG - VENTILATED GAS OVEN 600

#### OVEN FEATURES

- Internal oven dimensions: 44x30,5x41,5 - 56 litres
- Electronic programmer (grill functions)
- Energy class A **A**
- Safety valve
- Cooking temperature 150-250°C
- Thermostat
- See installation diagram on page 40

#### CONSUMPTION

- Maximum absorption 1,74 kW
- Electric grill 1600 W
- Gas oven burner power 3 kW

#### 4 FUNCTIONS



#### FINISHES



BURNISHED

#### COLOURS



### 600 E3 MULTI-FUNCTION ELECTRONIC 300°C

**600NCE3**

BURNISHED

### 600 VG VENTILATED GAS WITH ELECTRIC GRILL

**600NCVG**

BURNISHED



ACCESSORIES FOR ALL OVENS  
PAGE 26 - 27



## GENERAL FEATURES

- High density insulation
- Tangential cooling fan
- Internal light
- Triple glass cold door (EN60335-2-6-11.101)

### 600 E3 - ELECTRONIC OVEN 600

#### OVEN FEATURES

- Internal oven dimensions: 44x33,5x41 - 60 litres
- Electronic programmer
- Energy class A **A**
- Electronic temperature control
- Cooking temperature 30-300°C
- Thermostat with electronic probe
- Child safety

#### CONSUMPTION

- Maximum absorption 2,65 kW
- Heating element absorption: Electric grill 1600 W / Top 900 W / Bottom 1300 W / Circular 2400 W

#### 10 FUNCTIONS



#### FINISHES



BRASS



CHROME

#### COLOURS



ANTIQUE WHITE



BLUE



STAINLESS STEEL



GRAPHITE/MAT



BURGUNDY



COPPER



EMERALD GREEN

### 600 M - MULTI-FUNCTION OVEN 600

#### OVEN FEATURES

- Internal oven dimensions: 44x33,5x41 - 60 litres
- Electronic programmer
- Energy class A **A**
- Cooking temperature 50-250°C
- Double probe thermostat

#### CONSUMPTION

- Maximum absorption 2,65 kW
- Heating element absorption: Electric grill 1600 W / Top 900 W / Bottom 1300 W / Circular 2400 W

#### 9 FUNCTIONS



#### FINISHES



BRASS



CHROME

#### COLOURS



ANTIQUE WHITE



STAINLESS STEEL



GRAPHITE/MAT



BURGUNDY

### 600 E3 MULTI-FUNCTION ELECTRONIC 300°C

**600NE3**

BRASS

CHROME

### 600 M MULTI-FUNCTION ELECTRIC

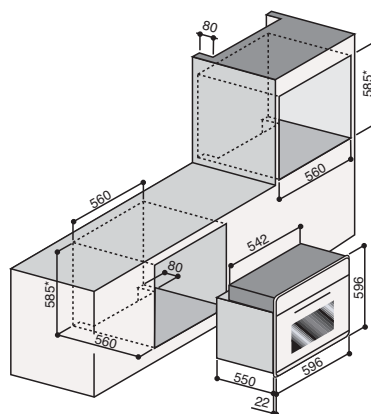
**600NMP**

BRASS

CHROME



ACCESSORIES FOR ALL OVENS  
PAGE 26 - 27



## 600 VG - VENTILATED GAS OVEN 600

### OVEN FEATURES

- Internal oven dimensions: 44x30,5x41,5 - 56 litres
- Electronic programmer (grill functions)
- Energy class **A**
- Safety valve
- Cooking temperature 150-250°C
- Thermostat
- See installation diagram on page 40

### CONSUMPTION

- Maximum absorption 1,74 kW
- Electric grill 1600 W
- Gas oven burner power 3 kW

### 4 FUNCTIONS



### FINISHES



BRASS

CHROME

### COLOURS



## 600 NVG VENTILATED GAS WITH ELECTRIC GRILL

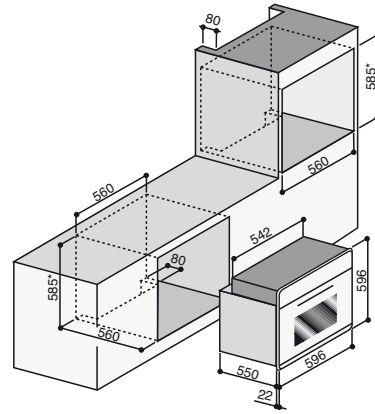
**600NVG**

BRASS

CHROME



ACCESSORIES FOR ALL OVENS  
PAGE 26 - 27



## GENERAL FEATURES

- High density insulation
- Tangential cooling fan
- Internal light
- Triple glass cold door (EN60335-2-6-11.101)

## 600 E3 - ELECTRONIC OVEN 600

### OVEN FEATURES

- Internal oven dimensions: 44x33,5x41 - 60 litres
- Electronic programmer
- Energy class **A**
- Electronic temperature control
- Cooking temperature 30-300°C
- Thermostat with electronic probe
- Child safety

### CONSUMPTION

- Maximum absorption 2,65 kW
- Heating element absorption: Electric grill 1600 W / Top 900 W / Bottom 1300 W / Circular 2400 W

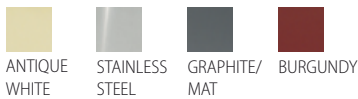
### 10 FUNCTIONS



### FINISHES



### COLOURS



### COLOURS



### COLOURS



600 E3 MULTI-FUNCTION ELECTRONIC 300°C

**600RE3** BRASS / CHROME

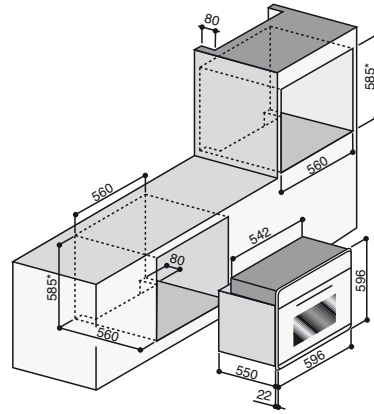
600 E3 MULTI-FUNCTION ELECTRONIC 300°C

**600RE3** BRASS / CHROME

600 E3 MULTI-FUNCTION ELECTRONIC 300°C

**600RE3** BRASS / CHROME





## GENERAL FEATURES

- High density insulation
- Tangential cooling fan
- Internal light
- Triple glass cold door (EN60335-2-6-11.101)

## 600 E3 - ELECTRONIC OVEN 600

### OVEN FEATURES

- Internal oven dimensions: 44x33,5x41 - 60 litres
- Electronic programmer
- Energy class **A**
- Electronic temperature control
- Cooking temperature 30-300°C
- Thermostat with electronic probe
- Child safety

### CONSUMPTION

- Maximum absorption 2,65 kW
- Heating element absorption: Electric grill 1600 W / Top 900 W / Bottom 1300 W / Circular 2400 W

### 10 FUNCTIONS



### FINISHES



BURNISHED

### COLOURS



ANTIQUE  
WHITE



STAINLESS  
STEEL



GRAPHITE/  
MAT



BURGUNDY

### COLOURS



ANTIQUE  
BRASS



ANTIQUE  
COPPER

### COLOURS



BRASS



COPPER

600 E3 MULTI-FUNCTION ELECTRONIC 300°C

**600RCE3**

BURNISHED

600 E3 MULTI-FUNCTION ELECTRONIC 300°C

**600RCE3**

BURNISHED

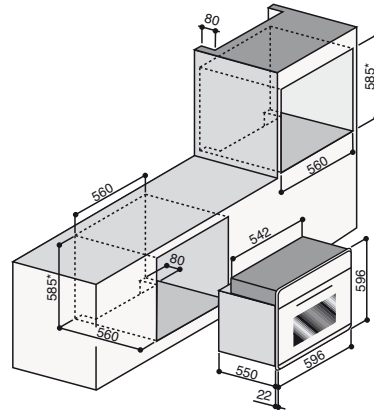
600 E3 MULTI-FUNCTION ELECTRONIC 300°C

**600RCE3**

BURNISHED



ACCESSORIES FOR ALL OVENS  
PAGE 26 - 27



## GENERAL FEATURES

- High density insulation
- Tangential cooling fan
- Internal light
- Triple glass cold door (EN60335-2-6-11.101)

## 600 E3 - ELECTRONIC OVEN 600

### OVEN FEATURES

- Internal oven dimensions: 44x33,5x41 - 60 litres
- Electronic programmer
- Energy class **A**
- Electronic temperature control
- Cooking temperature 30-300°C
- Thermostat with electronic probe
- Child safety

### CONSUMPTION

- Maximum absorption 2,65 kW
- Heating element absorption: Electric grill 1600 W / Top 900 W / Bottom 1300 W / Circular 2400 W

### 10 FUNCTIONS



### FINISHES



### COLOURS



## 600 E3 MULTI-FUNCTION ELECTRONIC 300°C

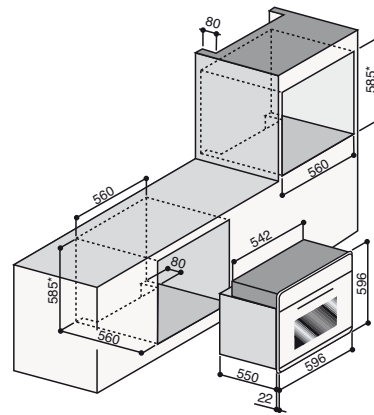
**600CE3**

BRASS / CHROME

BURNISHED



ACCESSORIES FOR ALL OVENS  
PAGE 26 - 27



## GENERAL FEATURES

- High density insulation
- Tangential cooling fan
- Internal light
- Triple glass cold door (EN60335-2-6-11.101)

## 600 E3 S - ELECTRONIC OVEN 600

### OVEN FEATURES

- Internal oven dimensions: 44x33,5x41 - 60 litres
- Electronic programmer
- Energy class **A**
- Electronic temperature control
- Cooking temperature 30-300°C
- Thermostat with electronic probe
- Child safety
- Cooking probe

### CONSUMPTION

- Maximum absorption 2,65 kW
- Heating element absorption: Electric grill 1600 W / Top 900 W / Bottom 1300 W / Circular 2400 W

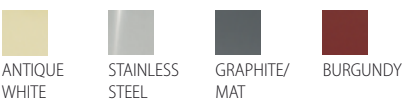
### 10 FUNCTIONS



### FINISHES



### COLOURS



## 600 E3 S MULTI-FUNCTION ELECTRONIC 300°C

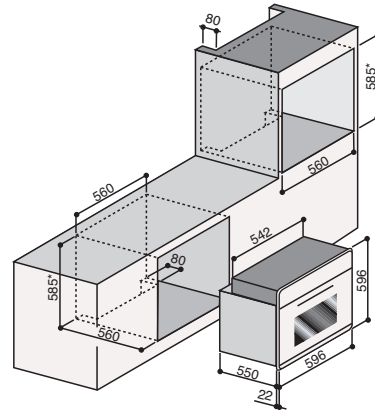
**600SCE3**

BRASS / CHROME

BURNISHED



ACCESSORIES FOR ALL OVENS  
PAGE 26 - 27



## GENERAL FEATURES

- High density insulation
- Tangential cooling fan
- Internal light
- Triple glass cold door (EN60335-2-6-11.101)

## 600 E3 - ELECTRONIC OVEN 600

### OVEN FEATURES

- Internal oven dimensions: 44x33,5x41 - 60 litres
- Electronic programmer
- Energy class **A**
- Electronic temperature control
- Cooking temperature 30-300°C
- Thermostat with electronic probe
- Child safety

### CONSUMPTION

- Maximum absorption 2,65 kW
- Heating element absorption: Electric grill 1600 W / Top 900 W / Bottom 1300 W / Circular 2400 W

### 10 FUNCTIONS



### FINISHES



### COLOURS



## 600 E3 MULTI-FUNCTION ELECTRONIC 300°C

**600ME3**

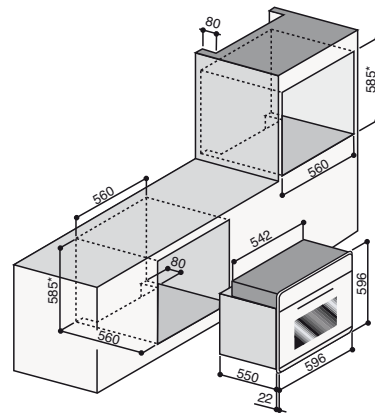
BRASS / CHROME

BURNISHED



ACCESSORIES FOR ALL OVENS  
PAGE 26 - 27





## GENERAL FEATURES

- High density insulation
- Tangential cooling fan
- Internal light
- Quadruple glass cold door (EN60335-2-6-11.101)
- Automatic "pyrolytic" cleaning cycle at 470° C with safety door lock

## 600 PY - PYROLYTIC OVEN 600

### OVEN FEATURES

- Internal oven dimensions: 43,7x32,5x39,5 - 56 litres
- Electronic programmer
- Energy class **B**
- Electronic temperature control
- Cooking temperature 30-300°C
- Thermostat with electronic probe
- Child safety
- Cooking probe

### CONSUMPTION

- Maximum absorption 3,5 kW
- Heating element absorption: Electric grill 2200 W / Top 900 W / Bottom 1300 W / Circular 2400 W

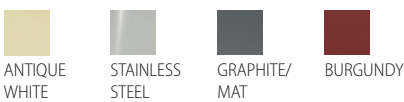
### 11 FUNCTIONS



### FINISHES



### COLOURS



## 600 PY PYROLYTIC OVEN

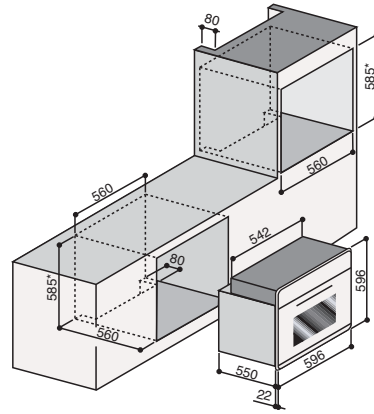
**600SCPY**

BRASS / CHROME

BURNISHED



ACCESSORIES FOR ALL OVENS  
PAGE 26 - 27



## GENERAL FEATURES

- High density insulation
- Tangential cooling fan
- Internal light
- Quadruple glass cold door (EN60335-2-6-11.101)
- Automatic "pyrolytic" cleaning cycle at 470° C with safety door lock

## 600 PY - PYROLYTIC OVEN 600

### OVEN FEATURES

- Internal oven dimensions: 43,7x32,5x39,5 - 56 litres
- Electronic programmer
- Energy class **B**
- Electronic temperature control
- Cooking temperature 30-300°C
- Thermostat with electronic probe
- Child safety
- Cooking probe

### CONSUMPTION

- Maximum absorption 3,5 kW
- Heating element absorption: Electric grill 2200 W / Top 900 W / Bottom 1300 W / Circular 2400 W

### 11 FUNCTIONS



### FINISHES



### COLOURS



## 600 PY PYROLYTIC OVEN

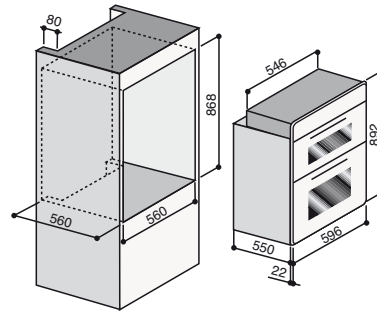
**600CPY**

BRASS / CHROME

BURNISHED



ACCESSORIES FOR ALL OVENS  
PAGE 26 - 27



### LOW OVEN:

#### GENERAL FEATURES

- High density insulation
- Tangential cooling fan
- Internal light
- Triple glass cold door (EN60335-2-6-11.101)

### HIGH OVEN:

#### GENERAL FEATURES

- High density insulation
- Tangential cooling fan
- Internal light
- Triple glass cold door (EN60335-2-6-11.101)

### 600 E3 - ELECTRONIC OVEN 600

#### OVEN FEATURES

- Internal oven dimensions: 44x33,5x41 - 60 litres
- Electronic programmer
- Energy class A **A**
- Electronic temperature control
- Cooking temperature 30-300°C
- Thermostat with electronic probe
- Child safety

#### CONSUMPTION

- Maximum absorption 2,65 kW
- Heating element absorption: Electric grill 1600 W / Top 900 W / Bottom 1300 W / Circular 2400 W

#### 10 FUNCTIONS



#### FINISHES



#### COLOURS



### 645 E3 - COMPACT ELECTRONIC OVEN 645

#### OVEN FEATURES

- Internal oven dimensions: 44x21x40,5 - 37 litres
- Electronic programmer
- Energy class A **A**
- Electronic temperature control
- Cooking temperature 30-300°C
- Thermostat with electronic probe
- Child safety

#### CONSUMPTION

- Maximum absorption 2,5 kW
- Heating element absorption: Electric grill 1600 W / Top 900 W / Bottom 1300 W / Circular 2000 W

#### 10 FUNCTIONS

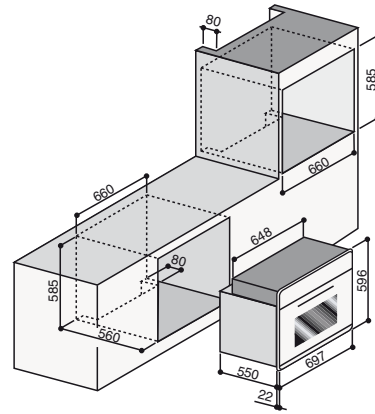


### 600 E3 TWO MULTI-ELECTRONIC OVENS 300°C

201NE3 BRASS / CHROME



ACCESSORIES FOR ALL OVENS  
PAGE 26 - 27



## GENERAL FEATURES

- High density insulation
- Tangential cooling fan
- Internal light
- Transversal rotisserie
- Triple glass cold door (EN60335-2-6-11.101)

## 700 E3 - ELECTRONIC MAXI OVEN 700

### OVEN FEATURES

- Internal oven dimensions: 54x34x41,5 - 76 litres
- Electronic programmer
- Energy class **A**
- Electronic temperature control
- Cooking temperature 30-300°C
- Thermostat with electronic probe
- Child safety

### CONSUMPTION

- Maximum absorption 2,9 kW
- Heating element absorption: Electric grill 2200 W / Top 900 W / Bottom 1500 W / Circular 2400 W

### 10 FUNCTIONS



### FINISHES



### COLOURS



## 700 E3 MULTI-FUNCTION ELECTRONIC 300°C

**700CE3**

BRASS / CHROME

BURNISHED



ACCESSORIES FOR ALL OVENS  
PAGE 26 - 27



## GENERAL FEATURES

- High density insulation
- Tangential cooling fan
- Internal light
- Transversal rotisserie
- Triple glass cold door (EN60335-2-6-11.101)

### 900 E3 - ELECTRONIC MAXI OVEN

#### OVEN FEATURES

- Internal oven dimensions: 64x33,5x41,5 - 89 litres
- Electronic programmer
- Energy class A **A**
- Electronic temperature control
- Cooking temperature 30-300°C
- Thermostat with electronic probe
- Child safety

#### CONSUMPTION

- Maximum absorption 2,9 kW
- Heating element absorption: Electric grill 2200 W / Top 800 W / Bottom 1500 W / circular 2400 W

#### 10 FUNCTIONS



#### FINISHES



#### COLOURS



### 900 M - MULTIFUNCTION MAXI OVEN

#### OVEN FEATURES

- Internal oven dimensions: 64x33,5x41,5 - 89 litres
- Electronic programmer
- Energy class B **B**
- Cooking temperature 50-250°C
- Double probe thermostat

#### CONSUMPTION

- Maximum absorption 2,9 kW
- Heating element absorption: Electric grill 2200 W / Top 800 W / Bottom 1500 W / circular 2400 W

#### 9 FUNCTIONS



#### FINISHES



#### COLOURS



### 900 E3 MULTI-FUNCTION ELECTRONIC 300°C

900NE3

BRASS

CHROME

### 900 M MULTI-FUNCTION ELECTRIC

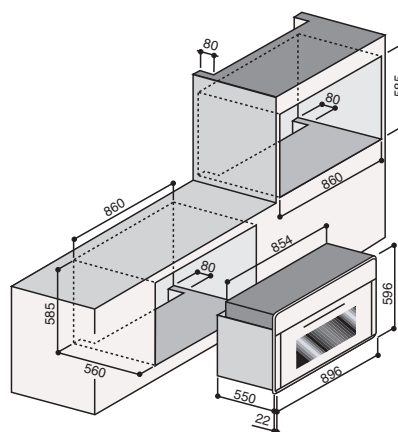
900NMP

BRASS

CHROME



ACCESSORIES FOR ALL OVENS  
PAGE 26 - 27



## 900 VG - VENTILATED GAS MAXI OVEN

### OVEN FEATURES

- Internal oven dimensions: 64x30x41,5 - 80 litres
- Electronic programmer (grill functions)
- Energy class **A**
- Safety valve
- Cooking temperature 150-250°C
- Thermostat
- See installation diagram on page 40

### CONSUMPTION

- Maximum absorption 2,3 kW
- Electric grill 2200 W
- Gas oven burner power 3,5 kW

### 4 FUNCTIONS



### FINISHES



BRASS

CHROME

### COLOURS



ANTIQU  
WHITE

STAINLESS  
STEEL

GRAPHITE/  
MAT

BURGUNDY

## 900 NVG VENTILATED GAS WITH ELECTRIC GRILL

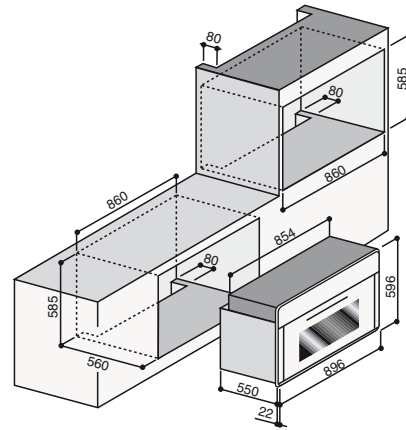
**900NVG**

BRASS

CHROME



ACCESSORIES FOR ALL OVENS  
PAGE 26 - 27



## GENERAL FEATURES

- High density insulation
- Tangential cooling fan
- Internal light
- Transversal rotisserie
- Triple glass cold door (EN60335-2-6-11.101)

## 900 E3 - ELECTRONIC MAXI OVEN

### OVEN FEATURES

- Internal oven dimensions: 64x33,5x41,5 - 89 litres
- Electronic programmer
- Energy class A **A**
- Electronic temperature control
- Cooking temperature 30-300°C
- Thermostat with electronic probe
- Child safety

### CONSUMPTION

- Maximum absorption 2,9 kW
- Heating element absorption: Electric grill 2200 W / Top 800 W / Bottom 1500 W / circular 2400 W

### FINISHES



BURNISHED

### 10 FUNCTIONS



### COLOURS



## 900 VG - VENTILATED GAS MAXI OVEN

### OVEN FEATURES

- Internal oven dimensions: 64x30x41,5 - 80 litres
- Electronic programmer (grill functions)
- Energy class A **A**
- Safety valve
- Cooking temperature 150-250°C
- Thermostat
- See installation diagram on page 40

### CONSUMPTION

- Maximum absorption 2,3 kW
- Electric grill 2200 W
- Gas oven burner power 3,5 kW

### FINISHES



BURNISHED

### 4 FUNCTIONS



### COLOURS



## 900 E3 MULTI-FUNCTION ELECTRONIC 300°C

**900NCE3**

BURNISHED

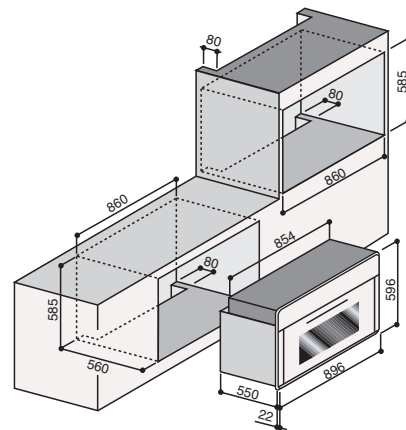
## 900 VG VENTILATED GAS WITH ELECTRIC GRILL

**900NCVG**

BURNISHED



ACCESSORIES FOR ALL OVENS  
PAGE 26 - 27



## GENERAL FEATURES

- High density insulation
- Tangential cooling fan
- Internal light
- Transversal rotisserie
- Triple glass cold door (EN60335-2-6-11.101)

## 900 E3 - ELECTRONIC MAXI OVEN

### OVEN FEATURES

- Internal oven dimensions: 64x33,5x41,5 - 89 litres
- Electronic programmer
- Energy class **A**
- Electronic temperature control
- Cooking temperature 30-300°C
- Thermostat with electronic probe
- Child safety

### CONSUMPTION

- Maximum absorption 2,9 kW
- Heating element absorption: Electric grill 2200 W / Top 800 W / Bottom 1500 W / circular 2400 W

### FINISHES



BRASS



CHROME



BURNISHED

### 10 FUNCTIONS



### COLOURS



ANTIQU  
WHITE



WHITE



BLUE



STAINLESS  
STEEL



GRAPHITE/  
MAT



BURGUNDY



COPPER



EMERALD  
GREEN

## 900 E3 MULTI-FUNCTION ELECTRONIC 300°C

**900CE3**

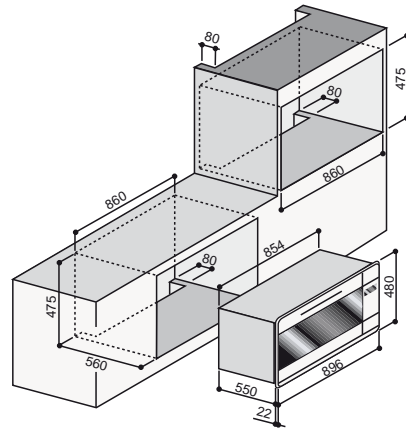
BRASS / CHROME

BURNISHED



ACCESSORIES FOR ALL OVENS  
PAGE 26 - 27





## GENERAL FEATURES

- High density insulation
- Tangential cooling fan
- Internal light
- Transversal rotisserie
- Triple glass cold door (EN60335-2-6-11.101)

## 900 E3 SA - ELECTRONIC MAXI OVEN

### OVEN FEATURES

- Internal oven dimensions: 64x33,5x41,5 - 89 litres
- Electronic programmer
- Energy class A **A**
- Electronic temperature control
- Cooking temperature 30-300°C
- Thermostat with electronic probe
- Child safety
- Cooking probe
- Self-cleaning panels

### CONSUMPTION

- Maximum absorption 2,9 kW
- Heating element absorption: Electric grill 2200 W / Top 800 W / Bottom 1500 W / circular 2400 W

### 10 FUNCTIONS



### FINISHES



BRASS

CHROME

### COLOURS

ANTIQUE  
WHITESTAINLESS  
STEELGRAPHITE/  
MAT

BURGUNDY

COPPER

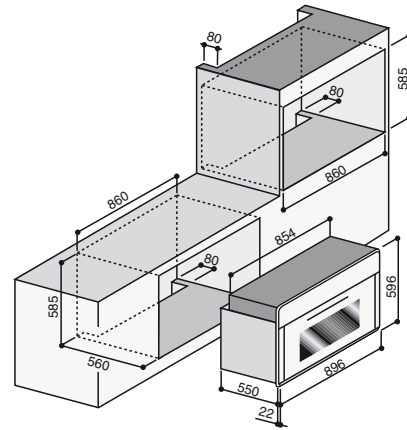
## 900 E3 SA MULTI-FUNCTION ELECTRONIC 300°C

948NE3

BRASS

CHROME

ACCESSORIES FOR ALL OVENS  
PAGE 26 - 27

**MAIN OVEN LEFT:****GENERAL FEATURES**

- High density insulation
- Tangential cooling fan
- Internal light
- Triple glass cold door (EN60335-2-6-11.101)

**600 E3 - ELECTRONIC OVEN 600****OVEN FEATURES**

- Internal oven dimensions: 44x33,5x41 - 60 litres
- Electronic programmer
- Energy class A **A**
- Electronic temperature control
- Cooking temperature 30-300°C
- Thermostat with electronic probe
- Child safety

**CONSUMPTION**

- Maximum absorption 2,65 kW
- Heating element absorption: Electric grill 1600 W / Top 900 W / Bottom 1300 W / Circular 2400 W

**10 FUNCTIONS****FINISHES**

BRASS



CHROME

**COLOURS**ANTIQUE  
WHITE

BLUE

STAINLESS  
STEELGRAPHITE/  
MAT

BURGUNDY

EMERALD  
GREEN**SECONDARY OVEN RIGHT:****GENERAL FEATURES**

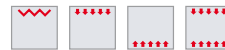
- High density insulation
- Tangential cooling fan
- Internal light
- Rotisserie
- Triple glass cold door (EN60335-2-6-11.101)

**300 E - MINI STATIC ELECTRIC OVEN 300****OVEN FEATURES**

- Internal oven dimensions: 25,7x32,5x43,5 - 36 litres
- Energy class A **A**
- Cooking temperature 50-250°C
- Thermostat

**CONSUMPTION**

- Maximum absorption 1,7 kW
- Heating element absorption: Electric grill 1500 W / Top 800 W / Bottom 800 W

**4 FUNCTIONS****600 E3 MULTI-ELECTRONIC 300°C + STATIC****D900NE3**

BRASS / CHROME

ACCESSORIES FOR ALL OVENS  
PAGE 26 - 27

# D900NC



## MAIN OVEN LEFT:

### GENERAL FEATURES

- High density insulation
- Tangential cooling fan
- Internal light
- Triple glass cold door (EN60335-2-6-11.101)

### 600 E3 - ELECTRONIC OVEN 600

#### OVEN FEATURES

- Internal oven dimensions: 44x33,5x41 - 60 litres
- Electronic programmer
- Energy class A **A**
- Electronic temperature control
- Cooking temperature 30-300°C
- Thermostat with electronic probe
- Child safety

#### CONSUMPTION

- Maximum absorption 2,65 kW
- Heating element absorption: Electric grill 1600 W / Top 900 W / Bottom 1300 W / Circular 2400 W

#### 10 FUNCTIONS



#### FINISHES



BURNISHED

#### COLOURS



ANTIQUE WHITE



BLUE



GRAPHITE/MAT



BURGUNDY



EMERALD GREEN

### 600 VG - VENTILATED GAS OVEN 600

#### OVEN FEATURES

- Internal oven dimensions: 44x30,5x41,5 - 56 litres
- Electronic programmer (grill functions)
- Energy class A **A**
- Safety valve
- Cooking temperature 150-250°C
- Thermostat
- See installation diagram on page 40

#### CONSUMPTION

- Maximum absorption 1,74 kW
- Electric grill 1600 W
- Gas oven burner power 3 kW

#### 4 FUNCTIONS



#### FINISHES



BURNISHED

#### COLOURS



ANTIQUE WHITE



BLUE



STAINLESS STEEL



GRAPHITE/MAT



BURGUNDY



EMERALD GREEN

### 600 E3 MULTI-ELECTRONIC 300°C + STATIC

**D900NCE3**

BURNISHED

### 600 VG VENTILATED GAS + STATIC

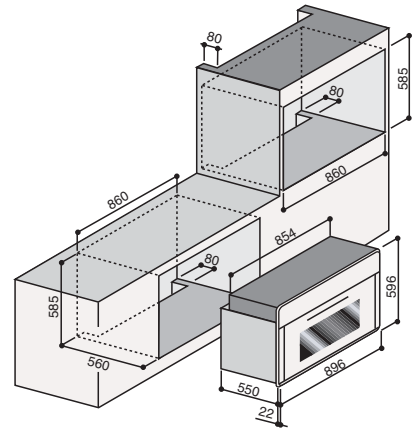
**D900NCVG**

BURNISHED



ACCESSORIES FOR ALL OVENS  
PAGE 26 - 27

# D900NC




## SECONDARY OVEN RIGHT:

### GENERAL FEATURES

- High density insulation
- Tangential cooling fan
- Internal light
- Rotisserie
- Triple glass cold door (EN60335-2-6-11.101)

## 300 E - MINI STATIC ELECTRIC OVEN 300

### OVEN FEATURES

- Internal oven dimensions: 25,7x32,5x43,5 - 36 litres
- Energy class **A** 
- Cooking temperature 50-250°C
- Thermostat

### CONSUMPTION

- Maximum absorption 1,7 kW
- Heating element absorption: Electric grill 1500 W / Top 800 W / Bottom 800 W

### 4 FUNCTIONS

