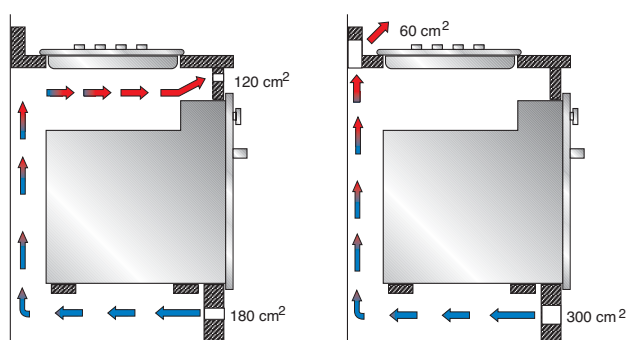


OVENS • DESIGN



Built-in oven features

Installation diagram for built-in gas oven (600 VG / 700 VG / 800 VG / 900 VG)



For proper operation of the gas oven, make sure there is sufficient cooling air circulation inside the compartment. Installation must be done according to Figure A or Figure B.

How to specify the product colour and finish

To specify the desired colour, at the end of the code add a slash "/" and the colour code:

Es: H70CV => H70CV/M (graphite-mat) - PN90E3 => PN90E3/BL (midnight blue)

FINISHES

On the Nostalgia (Classic) series in the Professional and Built-in lines and on the Majestic line, the standard finishes are brass. **Stainless steel (chrome) finishes can be requested at no additional cost by adding a further code of "X" to the product code with colour.**

For example:

600NE3/RB = Burgundy with brass finish

600NE3/RBX = Burgundy with chrome stainless steel finish

Burnished finishes can be requested, when available, with an additional cost by adding a further code of "Y" to the product code with colour.

For example:

600CE3/A = Oatmeal with brass finish

600CE3/AY = Oatmeal with burnished finish

Colours



I = STAINLESS STEEL



M = GRAPHITE-MAT



B = WHITE



A = ANTIQUE WHITE



AV = OATMEAL



RB = BURGUNDY



VS = EMERALD GREEN



BL = MIDNIGHT BLUE



RM = COPPER



R = BRIGHT COPPER



RA = ANTIQUE COPPER



O = BRIGHT BRASS



OA = ANTIQUE BRASS

“Classic” finishes



BRASS Standard brass knobs and handles



CHROME Chrome knobs and handles on request

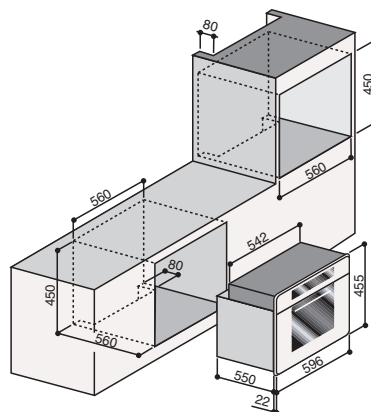


BURNISHED BURNISHED knobs and handles on request WITH ADDITIONAL COST (where available)

“Design” finishes



Steel knobs and handles



GENERAL FEATURES

- High density insulation
- Tangential cooling fan
- Internal light
- Triple glass cold door (EN60335-2-6-11.101)

645 E4 - COMPACT ELECTRONIC OVEN 645 - 400°C

OVEN FEATURES

- Internal oven dimensions: 44x21x40,5 - 37 litres
- Electronic programmer
- Energy class A **A**
- Electronic temperature control
- Cooking temperature 30-400°C
- Thermostat with electronic probe 400°C
- Child safety
- "Pizza Party" function 400°C for cooking pizzas in series

CONSUMPTION

- Maximum absorption 2,9 kW
- Heating element absorption: Electric grill 1600 W / Top 900 W / Bottom 1300 W / Circular 2000 W

10 FUNCTIONS



COLOURS



STAINLESS
STEEL

645 E3Q - COMPACT ELECTRONIC OVEN 645

OVEN FEATURES

- Internal oven dimensions: 44x21x40,5 - 37 litres
- Electronic programmer
- Energy class A **A**
- Electronic temperature control
- Cooking temperature 30-300°C
- Thermostat with electronic probe
- Child safety

CONSUMPTION

- Maximum absorption 2,9 kW
- Heating element absorption: Electric grill 1600 W / Top 900 W / Bottom 1300 W / Circular 2000 W

10 FUNCTIONS



COLOURS



STAINLESS
STEEL

645 E4 MULTI ELECTRONIC 400°

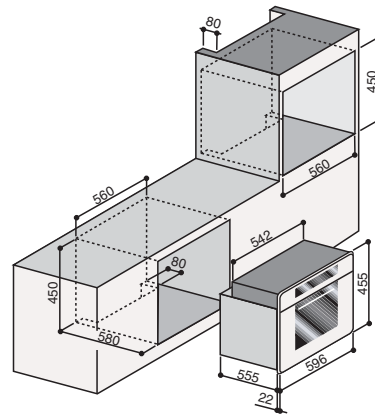
645SLZE4

645 E3Q MULTI-FUNCTION ELECTRONIC 300°C

645SLE3



ACCESSORIES FOR ALL OVENS
PAGE 26 - 27



GENERAL FEATURES

- AISI 304 stainless steel muffle
- High density insulation
- Tangential cooling fan
- Internal halogen light
- Triple glass cold door (EN60335-2-6-11.101)

645 HSW - ULTRACOMBI COMPACT OVEN HOT AIR, STEAM, MICROWAVE

OVEN FEATURES

- Internal oven dimensions: 41,5x21x41 - 35,7 litres
- Electronic programmer
- Energy class A **A**
- Electronic temperature control
- Cooking temperature 30-250°C
- Cooking probe
- Child safety
- Internal 1 litre tank

CONSUMPTION

- Maximum absorption 3,4 kW
- Heating element absorption: Electric grill 1650 W / Circular 1600 W
- Caldaia vapore 1200 W
- 1700 W microwave generator with moveable antenna

FUNCTION



9 COOKING PROGRAMS

- 1 – Ventilated hot air
- 2 – Grill
- 3 – Ventilated grill
- 4 – Microwave with 4 power levels (270W, 500W, 800W, 1000W) and Quick Start function
- 5 – Steam (40 °C to 100 °C)
- 6 – COMBI 1 (steam + hot air)
- 7 – COMBI 2 (steam + microwave from 270W to 500W)
- 8 – COMBI 3 (hot air + microwave from 270W to 500W)
- 9 – COMBI 4 (grill + microwave from 500W to 800W)

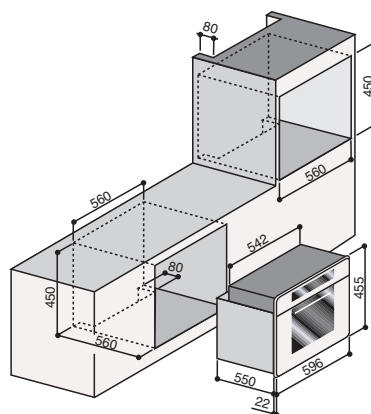
COLOURS



STAINLESS
STEEL

645 HSW HOT AIR + STEAM + MICROWAVE

645SLHSW Available from January 2017



GENERAL FEATURES

- AISI 304 stainless steel muffle
- Digital display

645 ST - STEAM OVEN

OVEN FEATURES

- Capacity 35 litres
- Steam generator
- 4 cooking levels 40/60/80/100°C
- Defrost function
- Tank, 1,2 litres
- Forced ventilation
- No water indicator Descaling cycle warning
- Child safety lock Door opening safety
- 2 stainless steel pans

CONSUMPTION

- Absorption 1,5 kW

COOKING FUNCTIONS



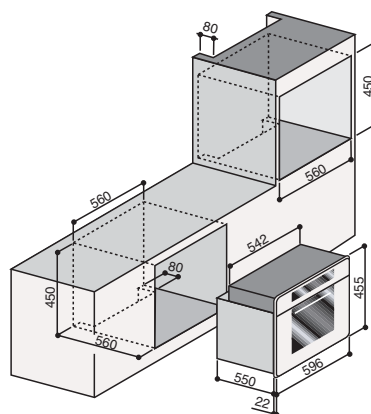
COLOURS



STAINLESS
STEEL

645 ST STEAM OVEN

645LTKST



GENERAL FEATURES

- AISI 304 stainless steel muffle
- Digital display

645 W - COMBINATION MICROWAVE OVEN

OVEN FEATURES

- Net capacity 32 - gross 38 litres
- 6 microwave cooking levels
- Automatic thawing by time or weight
- Door with 3 pieces of glass
- 3 automatic cooking functions
- Forced ventilation
- Child safety lock
- Door opening safety
- 1 glass pan

CONSUMPTION

- Absorption 3,4 kW
- Grill 1500 W foldable
- Microwave 1000 W

6 FUNCTIONS



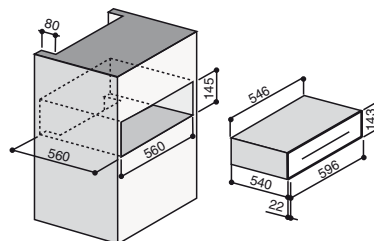
COLOURS



STAINLESS
STEEL

645 W COMBINATION MICROWAVE

645LTKCW



GENERAL FEATURES

- Drawer with non-slip bottom
- Can be installed alone or along with models 645 for insertion in a standard 60 cm opening

615 SC - DRAWER 615

COLOURS



STAINLESS
STEEL

DRAWER 615

615SLSC

615 WD - FOOD WARMER DRAWER 615

- Temperature adjustable from 40 to 80°C
- Thermostat
- On/off button
- Ventilated heat

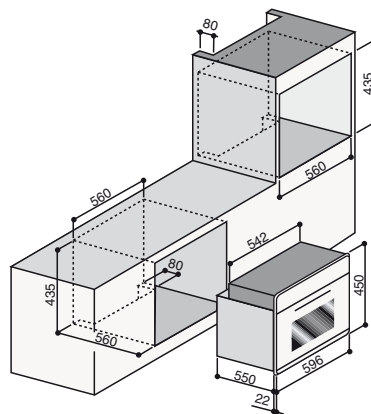
COLOURS



STAINLESS
STEEL

FOOD WARMER DRAWER 615

615SLWD



GENERAL FEATURES

- High density insulation
- Tangential cooling fan
- Internal light
- Triple glass cold door (EN60335-2-6-11.101)

645 E4 - COMPACT ELECTRONIC OVEN 645 - 400°C

OVEN FEATURES

- Internal oven dimensions: 44x21x40,5 - 37 litres
- Electronic programmer
- Energy class A **A**
- Electronic temperature control
- Cooking temperature 30-400°C
- Thermostat with electronic probe 400°C
- Child safety
- "Pizza Party" function 400°C for cooking pizzas in series

CONSUMPTION

- Maximum absorption 2,9 kW
- Heating element absorption: Electric grill 1600 W / Top 900 W / Bottom 1300 W / Circular 2000 W

10 FUNCTIONS



COLOURS



STAINLESS
STEEL

645 E3Q - COMPACT ELECTRONIC OVEN 645

OVEN FEATURES

- Internal oven dimensions: 44x21x40,5 - 37 litres
- Electronic programmer
- Energy class A **A**
- Electronic temperature control
- Cooking temperature 30-300°C
- Thermostat with electronic probe
- Child safety

CONSUMPTION

- Maximum absorption 2,9 kW
- Heating element absorption: Electric grill 1600 W / Top 900 W / Bottom 1300 W / Circular 2000 W

10 FUNCTIONS



COLOURS



STAINLESS
STEEL

645 E4 MULTI ELECTRONIC 400°

645LZE4

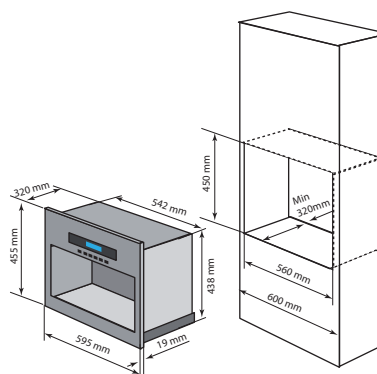
645 E3Q MULTI-FUNCTION ELECTRONIC 300°C

645LE3



ACCESSORIES FOR ALL OVENS
PAGE 26 - 27

ES645S



GENERAL FEATURES

- Semi-automatic like those in bars, it obtains a perfect espresso from coffee beans. The water tank can be removed for better hygiene. Also produces steam for quickly heating water for tea or milk for cappuccino or even for vin brûlé.
- Adaptor kit for Lavazza Espresso Point®, Illy®, Nespresso® and other coffee pods.
- Can be used with pods for other beverages such as ginseng, flavoured coffees, tea, tisanes, etc.

645 ES - PROFESSIONAL ESPRESSO MACHINE

CHARACTERISTICS

- Customizable parameters: grind and amount of coffee, water and steam temperature, water hardness
- Uses both whole bean and ground coffee.
- Steam generator for cappuccino, tea, tisanes.
- Stainless steel coffee grinder
- Heating time about 2 min.
- Water tank: 2,5 l.
- Coffee tank: about 350 g.
- Boiler power 1000 W
- Steam boiler power 600 W
- Mill power: 100 W
- Maximum absorption 1700 W

COLOURS



ANTIQUE
WHITE



STAINLESS
STEEL



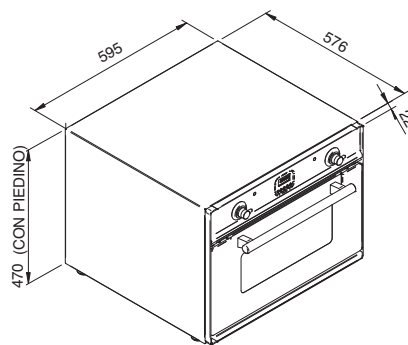
GRAPHITE/
MAT



BURGUNDY

645 ES - PROFESSIONAL ESPRESSO MACHINE

ES645STK



GENERAL FEATURES

- AISI 304 stainless steel muffle
- High density insulation
- Tangential cooling fan
- Internal light
- Quadruple glass cold door (EN60335-2-6-11.101)

645 E4 - COMPACT ELECTRONIC OVEN 645 - 400°C

OVEN FEATURES

- Internal oven dimensions: 44x21x40,5 - 37 litres
- Electronic programmer
- Energy class A **A**
- Electronic temperature control
- Cooking temperature 30-400°C
- Thermostat with electronic probe 400°C
- Child safety
- "Pizza Party" function 400°C for cooking pizzas in series

CONSUMPTION

- Maximum absorption 2,9 kW
- Heating element absorption: Electric grill 1600 W / Top 900 W / Bottom 1300 W / Circular 2000 W

10 FUNCTIONS



COLOURS



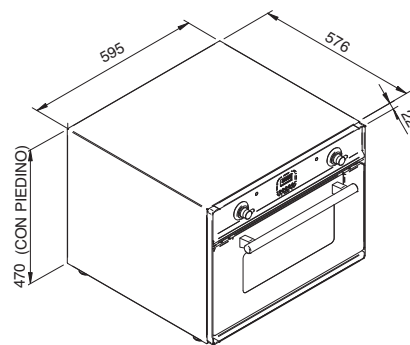
STAINLESS
STEEL

645 E4 MULTI ELECTRONIC 400°

A645SLZE4



ACCESSORIES FOR ALL OVENS
PAGE 26 - 27



GENERAL FEATURES

- AISI 304 stainless steel muffle
- High density insulation
- Tangential cooling fan
- Internal light
- Quadruple glass cold door (EN60335-2-6-11.101)

645 E4 - COMPACT ELECTRONIC OVEN 645 - 400°C

OVEN FEATURES

- Internal oven dimensions: 44x21x40,5 - 37 litres
- Electronic programmer
- Energy class **A**
- Electronic temperature control
- Cooking temperature 30-400°C
- Thermostat with electronic probe 400°C
- Child safety
- "Pizza Party" function 400°C for cooking pizzas in series

CONSUMPTION

- Maximum absorption 2,9 kW
- Heating element absorption: Electric grill 1600 W / Top 900 W / Bottom 1300 W / Circular 2000 W

10 FUNCTIONS



COLOURS



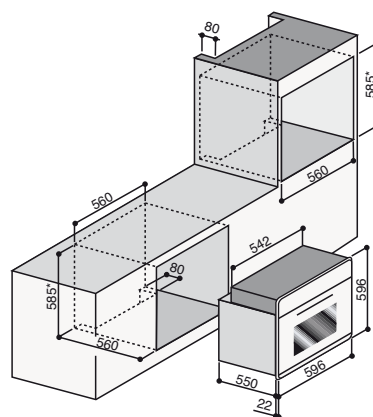
STAINLESS
STEEL

645 E4 MULTI ELECTRONIC 400°

A645LZE4



ACCESSORIES FOR ALL OVENS
PAGE 26 - 27



GENERAL FEATURES

- AISI 304 stainless steel muffle
- High density insulation
- Tangential cooling fan
- Internal light
- Quadruple glass cold door (EN60335-2-6-11.101)

645 E4 - COMPACT ELECTRONIC OVEN 645 - 400°C

OVEN FEATURES

- Internal oven dimensions: 44x21x40,5 - 37 litres
- Electronic programmer
- Energy class A **A**
- Electronic temperature control
- Cooking temperature 30-400°C
- Thermostat with electronic probe 400°C
- Child safety
- "Pizza Party" function 400°C for cooking pizzas in series

CONSUMPTION

- Maximum absorption 2,9 kW
- Heating element absorption: Electric grill 1600 W / Top 900 W / Bottom 1300 W / Circular 2000 W

10 FUNCTIONS



DRAWER 615

COLOURS



STAINLESS
STEEL

645 E4 MULTI ELECTRONIC 400°C + DRAWER

600LZE4SC

645 E4 - COMPACT ELECTRONIC OVEN 645 - 400°C

OVEN FEATURES

- Internal oven dimensions: 44x21x40,5 - 37 litres
- Electronic programmer
- Energy class A **A**
- Electronic temperature control
- Cooking temperature 30-400°C
- Thermostat with electronic probe 400°C
- Child safety
- "Pizza Party" function 400°C for cooking pizzas in series

CONSUMPTION

- Maximum absorption 2,9 kW
- Heating element absorption: Electric grill 1600 W / Top 900 W / Bottom 1300 W / Circular 2000 W

10 FUNCTIONS



FOOD WARMER DRAWER 615

- Drawer with non-slip bottom
- Temperature adjustable from 40 to 80°C
- Thermostat
- On/off button
- Ventilated heat
- Maximum power 0,4 kW

COLOURS



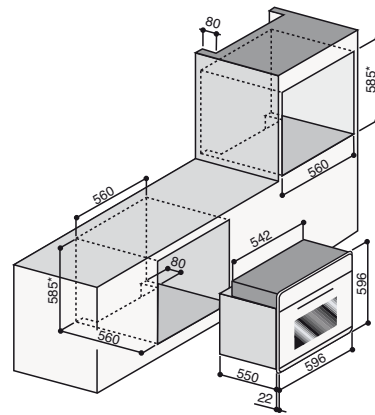
STAINLESS
STEEL

645 E4 MULTI ELECTRONIC 400°C + FOOD WARMER

600LZE4WD



ACCESSORIES FOR ALL OVENS
PAGE 26 - 27



GENERAL FEATURES

- High density insulation
- Tangential cooling fan
- Internal light
- Triple glass cold door (EN60335-2-6-11.101)

600 E3 S - ELECTRONIC OVEN 600

OVEN FEATURES

- Internal oven dimensions: 44x33,5x41 - 60 litres
- Electronic programmer
- Energy class A **A**
- Electronic temperature control
- Cooking temperature 30-300°C
- Thermostat with electronic probe
- Child safety
- Cooking probe

CONSUMPTION

- Maximum absorption 2,65 kW
- Heating element absorption: Electric grill 1600 W / Top 900 W / Bottom 1300 W / Circular 2400 W

10 FUNCTIONS



COLOURS



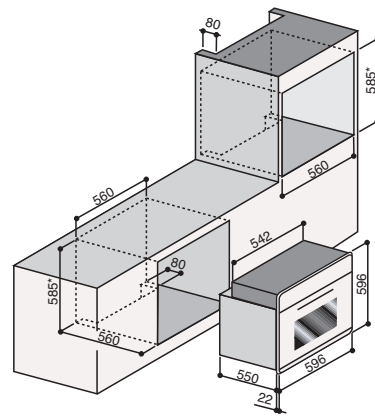
STAINLESS
STEEL

600 E3 S MULTI-FUNCTION ELECTRONIC 300°C

600SLE3



ACCESSORIES FOR ALL OVENS
PAGE 26 - 27



GENERAL FEATURES

- High density insulation
- Tangential cooling fan
- Internal light
- Triple glass cold door (EN60335-2-6-11.101)

600 E3 S - ELECTRONIC OVEN 600

OVEN FEATURES

- Internal oven dimensions: 44x33,5x41 - 60 litres
- Electronic programmer
- Energy class **A**
- Electronic temperature control
- Cooking temperature 30-300°C
- Thermostat with electronic probe
- Child safety
- Cooking probe

CONSUMPTION

- Maximum absorption 2,65 kW
- Heating element absorption: Electric grill 1600 W / Top 900 W / Bottom 1300 W / Circular 2400 W

10 FUNCTIONS



COLOURS



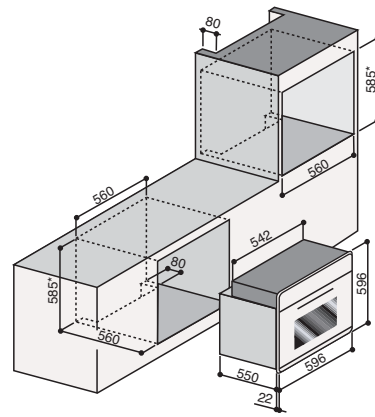
STAINLESS
STEEL

600 E3 S MULTI-FUNCTION ELECTRONIC 300°C

600SLTC3



ACCESSORIES FOR ALL OVENS
PAGE 26 - 27



GENERAL FEATURES

- High density insulation
- Tangential cooling fan
- Internal light
- Triple glass cold door (EN60335-2-6-11.101)

600 M - MULTI-FUNCTION OVEN 600

OVEN FEATURES

- Internal oven dimensions: 44x33,5x41 - 60 litres
- Electronic programmer
- Energy class **A**
- Cooking temperature 50-250°C
- Double probe thermostat

CONSUMPTION

- Maximum absorption: 2,65 kW
- Heating element absorption: Electric grill 1600 W / Top 900 W / Bottom 1300 W / Circular 2400 W

9 FUNCTIONS



COLOURS



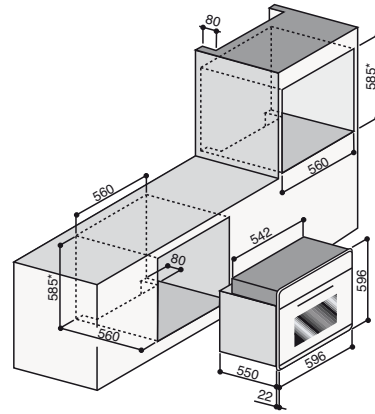
STAINLESS
STEEL

600 M - MULTI-FUNCTION OVEN 600

600SLKMP



ACCESSORIES FOR ALL OVENS
PAGE 26 - 27



GENERAL FEATURES

- High density insulation
- Tangential cooling fan
- Internal light
- Triple glass cold door (EN60335-2-6-11.101)

600 M - MULTI-FUNCTION OVEN 600

OVEN FEATURES

- Internal oven dimensions: 44x33,5x41 - 60 litres
- Electronic programmer
- Energy class A **A**
- Cooking temperature 50-250°C
- Double probe thermostat

CONSUMPTION

- Maximum absorption 2,65 kW
- Heating element absorption: Electric grill 1600 W / Top 900 W / Bottom 1300 W / Circular 2400 W

9 FUNCTIONS



COLOURS



STAINLESS
STEEL

600 VG - VENTILATED GAS OVEN 600

OVEN FEATURES

- Internal oven dimensions: 44x30,5x41,5 - 56 litres
- Electronic programmer (grill functions)
- Energy class A **A**
- Safety valve
- Cooking temperature 150-250°C
- Thermostat
- See installation diagram on page 40

CONSUMPTION

- Maximum absorption 1,74 kW
- Electric grill 1600 W
- Gas oven burner power 3 kW

4 FUNCTIONS



COLOURS



STAINLESS
STEEL

600 M MULTI-FUNCTION ELECTRIC

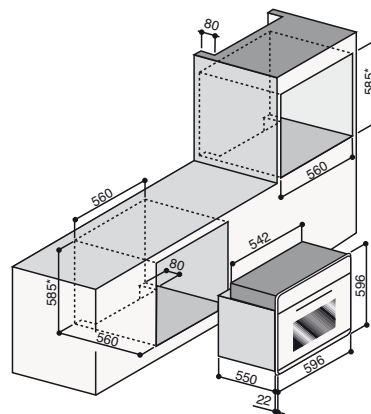
600LMP

600 VG VENTILATED GAS WITH ELECTRIC GRILL

600LVG



ACCESSORIES FOR ALL OVENS
PAGE 26 - 27



GENERAL FEATURES

- High density insulation
- Tangential cooling fan
- Internal light
- Triple glass cold door (EN60335-2-6-11.101)

600 E3 - ELECTRONIC OVEN 600

OVEN FEATURES

- Internal oven dimensions: 44x33,5x41 - 60 litres
- Electronic programmer
- Energy class A **A**
- Electronic temperature control
- Cooking temperature 30-300°C
- Thermostat with electronic probe
- Child safety

CONSUMPTION

- Maximum absorption 2,65 kW
- Heating element absorption: Electric grill 1600 W / Top 900 W / Bottom 1300 W / Circular 2400 W

10 FUNCTIONS



COLOURS



STAINLESS
STEEL

600 VG - VENTILATED GAS OVEN 600

OVEN FEATURES

- Internal oven dimensions: 44x30,5x41,5 - 56 litres
- Electronic programmer (grill functions)
- Energy class A **A**
- Safety valve
- Cooking temperature 150-250°C
- Thermostat
- See installation diagram on page 40

CONSUMPTION

- Maximum absorption 1,74 kW
- Electric grill 1600 W
- Gas oven burner power 3 kW

4 FUNCTIONS



COLOURS



STAINLESS
STEEL

600 E3 MULTI-FUNCTION ELECTRONIC 300°C

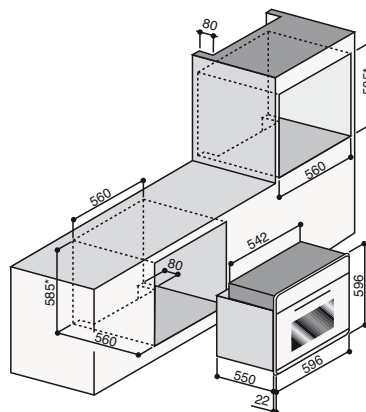
600BE3

600 VG VENTILATED GAS WITH ELECTRIC GRILL

600BVG



ACCESSORIES FOR ALL OVENS
PAGE 26 - 27



GENERAL FEATURES

- High density insulation
- Tangential cooling fan
- Internal light
- Triple glass cold door (EN60335-2-6-11.101)

600 E3 - ELECTRONIC OVEN 600

OVEN FEATURES

- Internal oven dimensions: 44x33,5x41 - 60 litres
- Electronic programmer
- Energy class A **A**
- Electronic temperature control
- Cooking temperature 30-300°C
- Thermostat with electronic probe
- Child safety

CONSUMPTION

- Maximum absorption 2,65 kW
- Heating element absorption: Electric grill 1600 W / Top 900 W / Bottom 1300 W / Circular 2400 W

10 FUNCTIONS



COLOURS



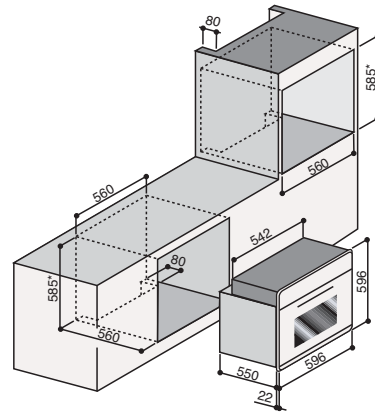
STAINLESS
STEEL

600 E3 MULTI-FUNCTION ELECTRONIC 300°C

600MTE3



ACCESSORIES FOR ALL OVENS
PAGE 26 - 27



GENERAL FEATURES

- High density insulation
- Tangential cooling fan
- Internal light
- Triple glass cold door (EN60335-2-6-11.101)

600 E3 - ELECTRONIC OVEN 600

OVEN FEATURES

- Internal oven dimensions: 44x33,5x41 - 60 litres
- Electronic programmer
- Energy class **A**
- Electronic temperature control
- Cooking temperature 30-300°C
- Thermostat with electronic probe
- Child safety

CONSUMPTION

- Maximum absorption 2,65 kW
- Heating element absorption: Electric grill 1600 W / Top 900 W / Bottom 1300 W / Circular 2400 W

10 FUNCTIONS



COLOURS



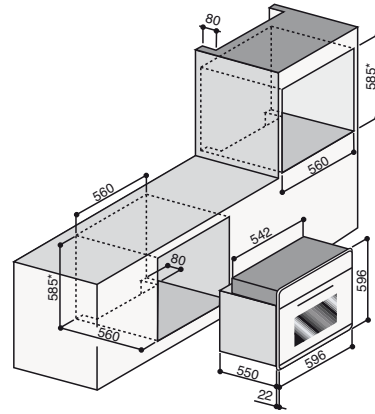
WHITE

STAINLESS
STEELGRAPHITE/
MAT

600 E3 MULTI-FUNCTION ELECTRONIC 300°C

600WE3

ACCESSORIES FOR ALL OVENS
PAGE 26 - 27



GENERAL FEATURES

- High density insulation
- Tangential cooling fan
- Internal light
- Quadruple glass cold door (EN60335-2-6-11.101)
- Automatic "pyrolytic" cleaning cycle at 470° C with safety door lock

600 PY - PYROLYTIC OVEN 600

OVEN FEATURES

- Internal oven dimensions: 43,7x32,5x39,5 - 56 litres
- Electronic programmer
- Energy class **B**
- Electronic temperature control
- Cooking temperature 30-300°C
- Thermostat with electronic probe
- Child safety
- Cooking probe

CONSUMPTION

- Maximum absorption 3,5 kW
- Heating element absorption: Electric grill 2200 W / Top 900 W / Bottom 1300 W / Circular 2400 W

11 FUNCTIONS



COLOURS



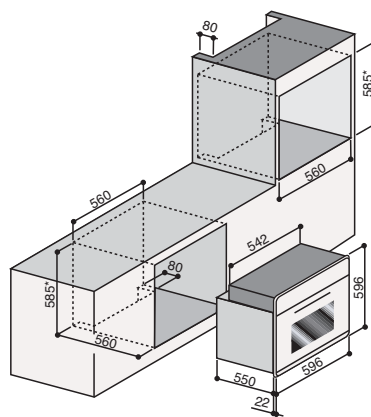
STAINLESS
STEEL

600 PY PYROLYTIC OVEN

600SLPY



ACCESSORIES FOR ALL OVENS
PAGE 26 - 27



GENERAL FEATURES

- High density insulation
- Tangential cooling fan
- Internal light
- Quadruple glass cold door (EN60335-2-6-11.101)
- Automatic "pyrolytic" cleaning cycle at 470° C with safety door lock

600 PY - PYROLYTIC OVEN 600

OVEN FEATURES

- Internal oven dimensions: 43,7x32,5x39,5 - 56 litres
- Electronic programmer
- Energy class B **B**
- Electronic temperature control
- Cooking temperature 30-300°C
- Thermostat with electronic probe
- Child safety
- Cooking probe

CONSUMPTION

- Maximum absorption 3,5 kW
- Heating element absorption: Electric grill 2200 W / Top 900 W / Bottom 1300 W / Circular 2400 W

11 FUNCTIONS



COLOURS



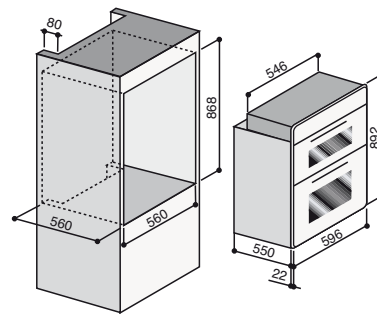
STAINLESS
STEEL

600 PY PYROLYTIC OVEN

600WPY



ACCESSORIES FOR ALL OVENS
PAGE 26 - 27



HIGH OVEN:

GENERAL FEATURES

- High density insulation
- Tangential cooling fan
- Internal light
- Triple glass cold door (EN60335-2-6-11.101)

645 E3 - COMPACT ELECTRONIC OVEN 645

OVEN FEATURES

- Internal oven dimensions: 44x21x40,5 - 37 litres
- Electronic programmer
- Energy class **A**
- Electronic temperature control
- Cooking temperature 30-300°C
- Thermostat with electronic probe
- Child safety

CONSUMPTION

- Maximum absorption 2,5 kW
- Heating element absorption: Electric grill 1600 W / Top 900 W / Bottom 1300 W Circular 2000 W

10 FUNCTIONS



COLOURS



STAINLESS
STEEL

LOW OVEN:

GENERAL FEATURES

- High density insulation
- Tangential cooling fan
- Internal light
- Triple glass cold door (EN60335-2-6-11.101)

600 E3 - ELECTRONIC OVEN 600

OVEN FEATURES

- Internal oven dimensions: 44x33,5x41 - 60 litres
- Electronic programmer
- Energy class **A**
- Electronic temperature control
- Cooking temperature 30-300°C
- Thermostat with electronic probe
- Child safety

CONSUMPTION

- Maximum absorption 2,65 kW
- Heating element absorption: Electric grill 1600 W / Top 900 W / Bottom 1300 W / Circular 2400 W

10 FUNCTIONS



COLOURS



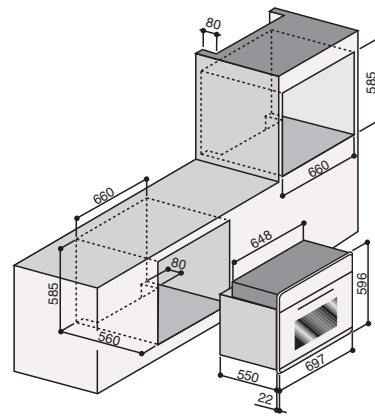
STAINLESS
STEEL

600 E3 TWO MULTI-ELECTRONIC OVENS 300°C

201WE3



ACCESSORIES FOR ALL OVENS
PAGE 26 - 27



GENERAL FEATURES

- High density insulation
- Tangential cooling fan
- Internal light Transversal rotisserie
- Triple glass cold door (EN60335-2-6-11.101)

700 E3 S - ELECTRONIC MAXI OVEN 700

OVEN FEATURES

- Internal oven dimensions: 54x34x41,5 - 76 litres
- Electronic programmer
- Energy class **A**
- Electronic temperature control
- Cooking temperature 30-300°C
- Thermostat with electronic probe
- Child safety
- Cooking probe

CONSUMPTION

- Maximum absorption 2,9 kW
- Heating element absorption: Electric grill 2200 W / Top 900 W / Bottom 1500 W / Circular 2400 W

10 FUNCTIONS



COLOURS



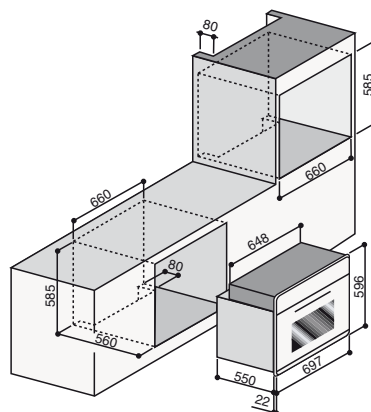
STAINLESS
STEEL

700 E3 S MULTI-FUNCTION ELECTRONIC 300°C

700SLTCE3



ACCESSORIES FOR ALL OVENS
PAGE 26 - 27



GENERAL FEATURES

- High density insulation
- Tangential cooling fan
- Internal light Transversal rotisserie
- Triple glass cold door (EN60335-2-6-11.101)

700 M - MULTIFUNCTION MAXI OVEN 700

OVEN FEATURES

- Internal oven dimensions: 54x34x41,5 - 76 litres
- Electronic programmer
- Energy class **B**
- Cooking temperature 50-250°C
- Double probe thermostat

CONSUMPTION

- Maximum absorption 2,9 kW
- Heating element absorption: Electric grill 2200 W / Top 800 W / Bottom 1500 W / circular 2400 W

9 FUNCTIONS



COLOURS



STAINLESS
STEEL

700 VG - VENTILATED GAS MAXI OVEN 700

OVEN FEATURES

- Internal oven dimensions: 54x31x41 - 69 litres
- Electronic programmer (grill functions)
- Energy class **A**
- Safety valve
- Cooking temperature 150-250°C
- Thermostat
- See installation diagram on page 40

CONSUMPTION

- Maximum absorption 2,3 kW
- Electric grill 2200 W
- Gas oven burner power 3,3 kW

4 FUNCTIONS



COLOURS



STAINLESS
STEEL

700 M MULTI-FUNCTION ELECTRIC

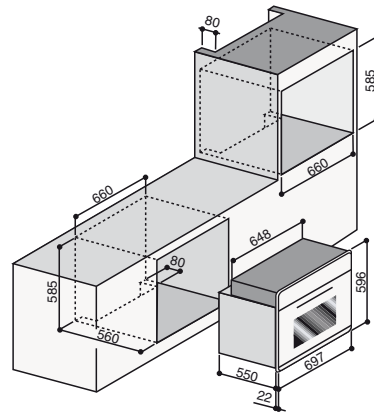
700LMP

700 VG VENTILATED GAS WITH ELECTRIC GRILL

700LVG



ACCESSORIES FOR ALL OVENS
PAGE 26 - 27



GENERAL FEATURES

- High density insulation
- Tangential cooling fan
- Internal light
- Transversal rotisserie
- Triple glass cold door (EN60335-2-6-11.101)

700 E3 - ELECTRONIC MAXI OVEN 700

OVEN FEATURES

- Internal oven dimensions: 54x34x41,5 - 76 litres
- Electronic programmer
- Energy class **A**
- Electronic temperature control
- Cooking temperature 30-300°C
- Thermostat with electronic probe
- Child safety

CONSUMPTION

- Maximum absorption 2,9 kW
- Heating element absorption: Electric grill 2200 W / Top 900 W / Bottom 1500 W / Circular 2400 W

10 FUNCTIONS



COLOURS



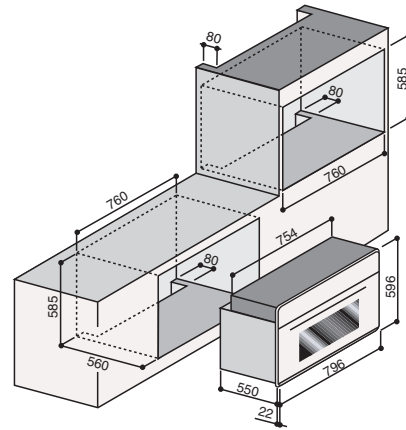
STAINLESS
STEEL

700 E3 MULTI-FUNCTION ELECTRONIC 300°C

700WE3



ACCESSORIES FOR ALL OVENS
PAGE 26 - 27



GENERAL FEATURES

- High density insulation
- Tangential cooling fan
- Internal light
- Transversal rotisserie
- Triple glass cold door (EN60335-2-6-11.101)

800 E3 S - ELECTRONIC MAXI OVEN

OVEN FEATURES

- Internal oven dimensions: 64x33,5x41,5 - 89 litres
- Electronic programmer
- Energy class **A**
- Electronic temperature control
- Cooking temperature 30-300°C
- Thermostat with electronic probe
- Child safety
- Cooking probe

CONSUMPTION

- Maximum absorption 2,9 kW
- Heating element absorption: Electric grill 2200 W / Top 800 W / Bottom 1500 W / circular 2400 W

10 FUNCTIONS



COLOURS



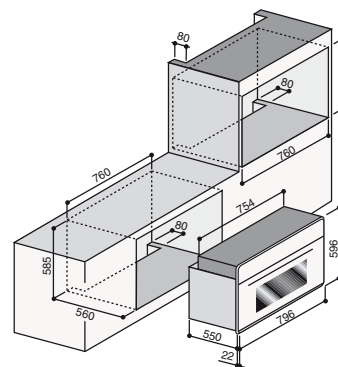
STAINLESS
STEEL

800 E3 S MULTI-FUNCTION ELECTRONIC 300°C

800SLTCE3



ACCESSORIES FOR ALL OVENS
PAGE 26 - 27



GENERAL FEATURES

- High density insulation
- Tangential cooling fan
- Internal light
- Transversal rotisserie
- Triple glass cold door (EN60335-2-6-11.101)

800 M - MULTIFUNCTION MAXI OVEN

OVEN FEATURES

- Internal oven dimensions: 64x33,5x41,5 - 89 litres
- Electronic programmer
- Energy class **B**
- Cooking temperature 50-250°C
- Double probe thermostat

CONSUMPTION

- Maximum absorption 2,9 kW
- Heating element absorption: Electric grill 2200 W / Top 800 W / Bottom 1500 W / circular 2400 W

9 FUNCTIONS



COLOURS



STAINLESS
STEEL

800 VG - VENTILATED GAS MAXI OVEN

OVEN FEATURES

- Internal oven dimensions: 64x30x41,5 - 80 litres
- Electronic programmer (grill functions)
- Energy class **A**
- Safety valve
- Cooking temperature 150-250°C
- Thermostat
- See installation diagram on page 40

CONSUMPTION

- Maximum absorption 2,3 kW
- Electric grill 2200 W
- Gas oven burner power 3,5 kW

4 FUNCTIONS



COLOURS



STAINLESS
STEEL

800 M MULTI-FUNCTION ELECTRIC

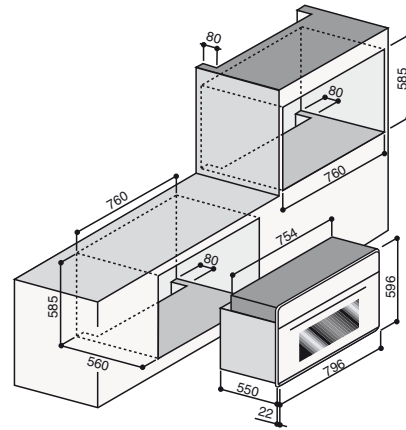
800LMP

800 VG VENTILATED GAS WITH ELECTRIC GRILL

800LVG



ACCESSORIES FOR ALL OVENS
PAGE 26 - 27



GENERAL FEATURES

- High density insulation
- Tangential cooling fan
- Internal light
- Transversal rotisserie
- Triple glass cold door (EN60335-2-6-11.101)

800 E3 - ELECTRONIC MAXI OVEN

OVEN FEATURES

- Internal oven dimensions: 64x33,5x41,5 - 89 litres
- Electronic programmer
- Energy class **A**
- Electronic temperature control
- Cooking temperature 30-300°C
- Thermostat with electronic probe
- Child safety

CONSUMPTION

- Maximum absorption 2,9 kW
- Heating element absorption: Electric grill 2200 W / Top 800 W / Bottom 1500 W / circular 2400 W

10 FUNCTIONS



COLOURS



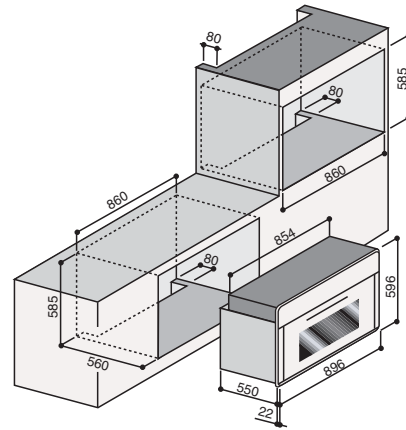
STAINLESS
STEEL

800 E3 MULTI-FUNCTION ELECTRONIC 300°C

800WE3



ACCESSORIES FOR ALL OVENS
PAGE 26 - 27



GENERAL FEATURES

- High density insulation
- Tangential cooling fan
- Internal light
- Transversal rotisserie
- Triple glass cold door (EN60335-2-6-11.101)

900 E3 S - ELECTRONIC MAXI OVEN

OVEN FEATURES

- Internal oven dimensions: 64x33,5x41,5 - 89 litres
- Electronic programmer
- Energy class **A**
- Electronic temperature control
- Cooking temperature 30-300°C
- Thermostat with electronic probe
- Child safety
- Cooking probe

CONSUMPTION

- Maximum absorption 2,9 kW
- Heating element absorption: Electric grill 2200 W / Top 800 W / Bottom 1500 W / circular 2400 W

10 FUNCTIONS



COLOURS



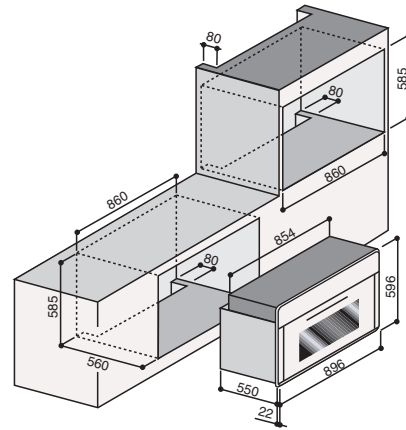
STAINLESS
STEEL

900 E3 S MULTI-FUNCTION ELECTRONIC 300°C

900SLTCE3



ACCESSORIES FOR ALL OVENS
PAGE 26 - 27



GENERAL FEATURES

- High density insulation
- Tangential cooling fan
- Internal light
- Transversal rotisserie
- Triple glass cold door (EN60335-2-6-11.101)

900 E3 S - ELECTRONIC MAXI OVEN

OVEN FEATURES

- Internal oven dimensions: 64x33,5x41,5 - 89 litres
- Electronic programmer
- Energy class **A**
- Electronic temperature control
- Cooking temperature 30-300°C
- Thermostat with electronic probe
- Child safety
- Cooking probe

CONSUMPTION

- Maximum absorption 2,9 kW
- Heating element absorption: Electric grill 2200 W / Top 800 W / Bottom 1500 W / circular 2400 W

10 FUNCTIONS



COLOURS



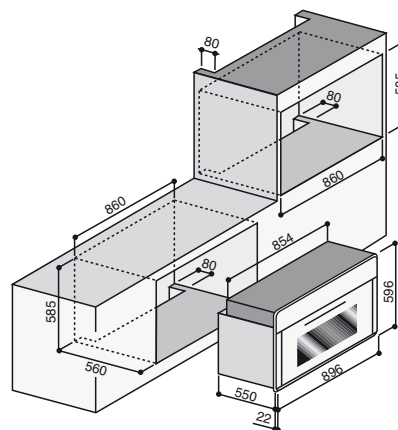
STAINLESS
STEEL

900 E3 S MULTI-FUNCTION ELECTRONIC 300°C

900TCE3



ACCESSORIES FOR ALL OVENS
PAGE 26 - 27



GENERAL FEATURES

- High density insulation
- Tangential cooling fan
- Internal light
- Transversal rotisserie
- Triple glass cold door (EN60335-2-6-11.101)

900 M - MULTIFUNCTION MAXI OVEN

OVEN FEATURES

- Internal oven dimensions: 64x33,5x41,5 - 89 litres
- Electronic programmer
- Energy class **B**
- Cooking temperature 50-250°C
- Double probe thermostat

CONSUMPTION

- Maximum absorption 2,9 kW
- Heating element absorption: Electric grill 2200 W / Top 800 W / Bottom 1500 W / circular 2400 W

9 FUNCTIONS



COLOURS



STAINLESS
STEEL

900 VG - VENTILATED GAS MAXI OVEN

OVEN FEATURES

- Internal oven dimensions: 64x30x41,5 - 80 litres
- Electronic programmer (grill functions)
- Energy class **A**
- Safety valve
- Cooking temperature 150-250°C
- Thermostat
- See installation diagram on page 40

CONSUMPTION

- Maximum absorption 2,3 kW
- Electric grill 2200 W
- Gas oven burner power 3,5 kW

4 FUNCTIONS



COLOURS



STAINLESS
STEEL

900 M MULTI-FUNCTION ELECTRIC

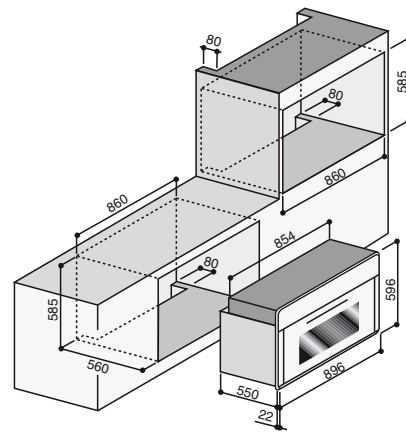
900LMP

900 VG VENTILATED GAS WITH ELECTRIC GRILL

900LVG



ACCESSORIES FOR ALL OVENS
PAGE 26 - 27



GENERAL FEATURES

- High density insulation
- Tangential cooling fan
- Internal light
- Transversal rotisserie
- Triple glass cold door (EN60335-2-6-11.101)

900 E3 - ELECTRONIC MAXI OVEN

OVEN FEATURES

- Internal oven dimensions: 64x33,5x41,5 - 89 litres
- Electronic programmer
- Energy class **A**
- Electronic temperature control
- Cooking temperature 30-300°C
- Thermostat with electronic probe
- Child safety

CONSUMPTION

- Maximum absorption 2,9 kW
- Heating element absorption: Electric grill 2200 W / Top 800 W / Bottom 1500 W / circular 2400 W

10 FUNCTIONS



COLOURS



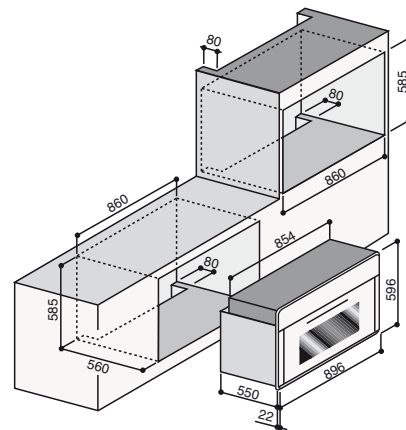
WHITE

STAINLESS
STEELGRAPHITE/
MAT

900 E3 MULTI-FUNCTION ELECTRONIC 300°C

900WE3

ACCESSORIES FOR ALL OVENS
PAGE 26 - 27



GENERAL FEATURES

- High density insulation
- Tangential cooling fan
- Internal light
- Transversal rotisserie
- Triple glass cold door (EN60335-2-6-11.101)

900 E3 - ELECTRONIC MAXI OVEN

OVEN FEATURES

- Internal oven dimensions: 64x33,5x41,5 - 89 litres
- Electronic programmer
- Energy class A **A**
- Electronic temperature control
- Cooking temperature 30-300°C
- Thermostat with electronic probe
- Child safety

CONSUMPTION

- Maximum absorption 2,9 kW
- Heating element absorption: Electric grill 2200 W / Top 800 W / Bottom 1500 W / circular 2400 W

10 FUNCTIONS



COLOURS



STAINLESS
STEEL

900 VG - VENTILATED GAS MAXI OVEN

OVEN FEATURES

- Internal oven dimensions: 64x30x41,5 - 80 litres
- Electronic programmer (grill functions)
- Energy class A **A**
- Safety valve
- Cooking temperature 150-250°C
- Thermostat
- See installation diagram on page 40

CONSUMPTION

- Maximum absorption 2,3 kW
- Electric grill 2200 W
- Gas oven burner power 3,5 kW

4 FUNCTIONS



COLOURS



STAINLESS
STEEL

900 E3 MULTI-FUNCTION ELECTRONIC 300°C

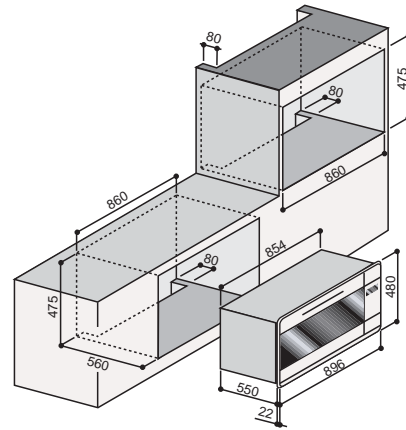
900BE3

900 VG VENTILATED GAS WITH ELECTRIC GRILL

900BVG



ACCESSORIES FOR ALL OVENS
PAGE 26 - 27



GENERAL FEATURES

- High density insulation
- Tangential cooling fan
- Internal light
- Transversal rotisserie
- Triple glass cold door (EN60335-2-6-11.101)

900 E3 SA - ELECTRONIC MAXI OVEN

OVEN FEATURES

- Internal oven dimensions: 64x33,5x41,5 - 89 litres
- Electronic programmer
- Energy class A **A**
- Electronic temperature control
- Cooking temperature 30-300°C
- 10 functions
- Child safety
- Cooking probe
- Self-cleaning panels

CONSUMPTION

- Maximum absorption 2,9 kW
- Heating element absorption: Electric grill 2200 W / Top 800 W / Bottom 1500 W / circular 2400 W

10 FUNCTIONS



COLOURS



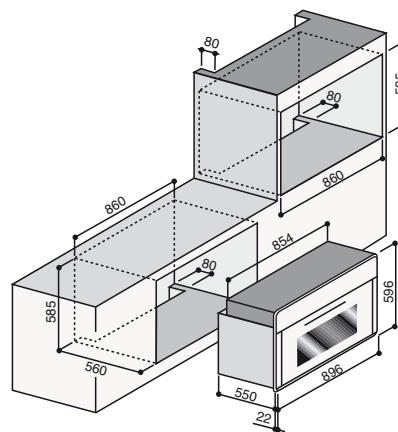
STAINLESS
STEEL

900 E3 SA MULTI-FUNCTION ELECTRONIC 300°C

948SLE3



ACCESSORIES FOR ALL OVENS
PAGE 26 - 27



MAIN OVEN LEFT:

GENERAL FEATURES

- High density insulation
- Tangential cooling fan
- Internal light
- Triple glass cold door (EN60335-2-6-11.101)

600 E3 - ELECTRONIC OVEN 600

OVEN FEATURES

- Internal oven dimensions: 44x33,5x41 - 60 litres
- Electronic programmer
- Energy class **A**
- Electronic temperature control
- Cooking temperature 30-300°C
- Thermostat with electronic probe
- Child safety

CONSUMPTION

- Maximum absorption 2,65 kW
- Heating element absorption: Electric grill 1600 W / Top 900 W / Bottom 1300 W / Circular 2400 W

10 FUNCTIONS



COLOURS



STAINLESS
STEEL

SECONDARY OVEN RIGHT:

GENERAL FEATURES

- High density insulation
- Tangential cooling fan
- Internal light
- Rotisserie
- Triple glass cold door (EN60335-2-6-11.101)

300 E3 - MINI STATIC ELECTRONIC OVEN 300

OVEN FEATURES

- Internal oven dimensions: 25,7x32,5x43,5 - 36 litres
- Electronic programmer
- Energy class **A+**
- Electronic temperature control
- Cooking temperature 30-250°C
- Thermostat with electronic probe
- Child safety

CONSUMPTION

- Maximum absorption 1,7 kW
- Heating element absorption: Electric grill 1500 W / Top 800 W / Bottom 800 W

5 FUNCTIONS



COLOURS



STAINLESS
STEEL

600 E3 MULTI-ELECTRONIC 300°C + STATIC

D900WE3



ACCESSORIES FOR ALL OVENS
PAGE 26 - 27